



8" Center Wall Mount Faucet Installation Manual

14-8 Faucets

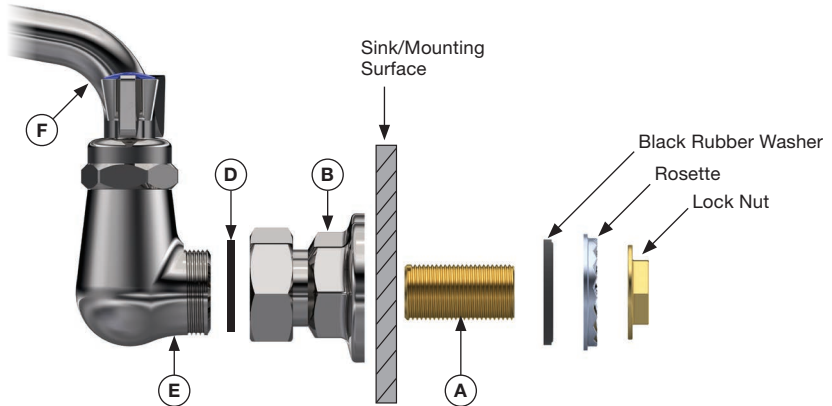


ROYAL
SERIES



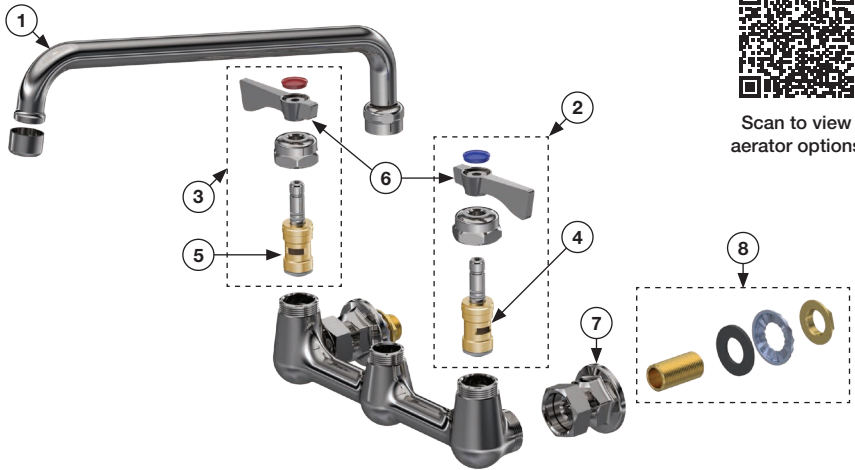
WARNING: Plumbing connections should be made by qualified personnel who will observe all applicable plumbing, sanitary and safety codes.

Note: For easy installation, we highly recommend using our E-Z Install Flexible Water Lines (Model 21-443L). They include 1/2" NPT close elbows with swivel compression fittings on the faucet side and 3/8" compression fittings on the water supply side. No thread sealant tape or soldering required.



Installation Instructions

1. Turn off water supply at main source before proceeding with installation.
2. Remove the two 1/2" threaded nipples (A) from the wall mount kit inside the box.
3. Apply thread sealant tape or pipe joint compound to one side of each of the two threaded nipples (you will apply to the other side after step #4 is completed).
4. Install the sealant-applied side of the threaded nipples into the two 1/2" female threaded coupling flanges (B) and tighten properly. Note that the coupling flanges have eccentric centers, meaning if the holes in the mounting surface are not exactly 8" on center, you can slightly adjust the center distance.
5. From the front of the sink, insert the threaded nipples into the faucet holes in the sink. Make sure the coupling flanges are turned so the brass nipples are at the 12 o'clock position. This is necessary to make sure the faucet is level.
6. Apply thread sealant tape or pipe joint compound to the other side of each of the two threaded nipples (A).
7. From the back of the sink, place the black rubber washer, rosette, and lock nut from the included mounting kit onto the threaded nipples and tighten with a wrench.
8. From the front of the sink, insert the rubber washers (D) into the coupling flanges (B).
9. Install the faucet body (E) onto the coupling flanges and tighten properly with a wrench. If the faucet does not fit on the coupling flanges, they will need to be rotated to fit the faucet as per step 4 above.
10. From the front of the sink, install the spout (F) and tighten properly.
11. From the back of the sink, install the water supply lines and tighten properly.



Scan to view
aerator options

Parts Guide

No.	Model	Description
1	21-420L	6" Swing Spout
1	21-421L	8" Swing Spout
1	21-422L	10" Swing Spout
1	21-423L	12" Swing Spout
1	21-424L	14" Swing Spout

No.	Model	Description
1	21-425L	16" Swing Spout
1	21-428L	6"W Gooseneck Spout
1	21-429L	8-1/2"W Gooseneck Spout
1	21-431L	6"W Double Bend Spout
1	21-432L	8-1/2"W Double Bend Spout

No.	Model	Description
2	21-308L	Cold 1/4 Turn Ceramic Cartridge Valve
3	21-309L	Hot 1/4 Turn Ceramic Cartridge Valve
4	21-333L	Cold 1/4 Turn Ceramic Cartridge Valve, Less Handle
5	21-334L	Hot 1/4 Turn Ceramic Cartridge Valve, Less Handle
6	21-306	Lever Handle Kit (includes hot & cold handles)
7	21-401L	Coupling Flanges (includes 2/ea)
8	21-194L	Wall Mounting Kit (includes 2/ea: nipples, lock nut, rosette, washer)

Accessories

Model	Description
21-311	Wrist Blade Handle Kit (includes hot & cold handles)
21-443L	E-Z Install Flexible Water Line Kit
25-150	Thread Sealant Tape

Warranty



Please visit krowne.com/warranty for full terms and conditions regarding the warranty on your new Royal Series product.

Product Description	Warranty Period
Royal Series Plumbing	3 Year

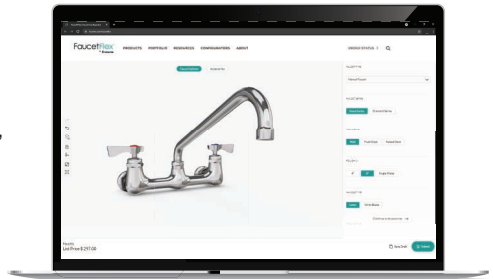
This Standard Warranty and Limitation of Liability (the "Warranty") sets forth the warranty provided by Krowne Metal Corporation (hereinafter "Krowne") with respect to the product purchased by Purchaser (the "Equipment"). By accepting delivery of the Equipment, Purchaser agrees to be bound by and accept these terms and conditions. All defined terms within the Warranty shall have the same meaning and definition as provided elsewhere in the Warranty. Equipment covered by the Warranty shall only be warranted in connection with its original installation only. Krowne will only be obligated to honor the warranty set forth in these terms and conditions upon receipt of full payment for the equipment.

FaucetFlex®
BY KROWNE



- Effortlessly configure a faucet, pre-rinse and much more
- Instant spec sheet generation
- Instant price generation

krowne.com/faucetflex



KROWNE®

100 Haul Rd. • Wayne, NJ 07470
krowne.com