



Model: \_\_\_\_\_ Item #: \_\_\_\_\_ Date: \_\_\_\_\_

Project: \_\_\_\_\_ Qty: \_\_\_\_\_ Approved By: \_\_\_\_\_

## Drop-In Sinks with 1-1/2" Drains

## Drop-In Sinks

### STANDARD FEATURES (applies to all models)

- Fabrication: 20 gauge stainless steel
- All seams tig welded and polished
- Bowl: High quality deep drawn
- Faucet & drain included
- Stainless steel 1-1/2" drain
- Faucet included is certified to NSF/ANSI 61 and 372 and conforms with the lead content requirements for lead free plumbing as defined by the U.S. Safe Drinking Water Act. Hand sink is certified NSF-2.

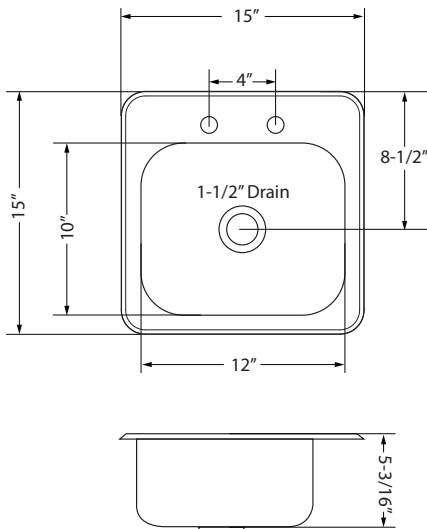
### OPTIONAL ACCESSORIES

- H-100** Chrome plated 1-1/2" IPS P-Trap
- H-103** Wrist Handle Kit

**HS-1515**  
15"W Drop-In Sink



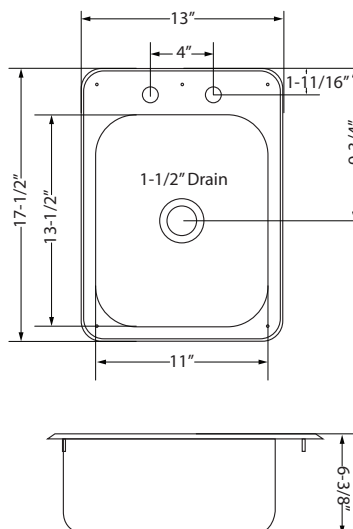
<b>Overall Size</b>	15"W x 15"L x 5-3/16"D
<b>Bowl Size</b>	12"W x 10"L x 5-3/16"D
<b>Cutout</b> (1-1/2" Radius)	14-3/8" x 14-3/8"
<b>Faucet</b>	4" Center Deck Mount with 4-1/2" Double Bend Spout, 1.8 GPM
<b>Weight</b>	8 lbs.



**HS-1317**  
13"W Drop-In Sink



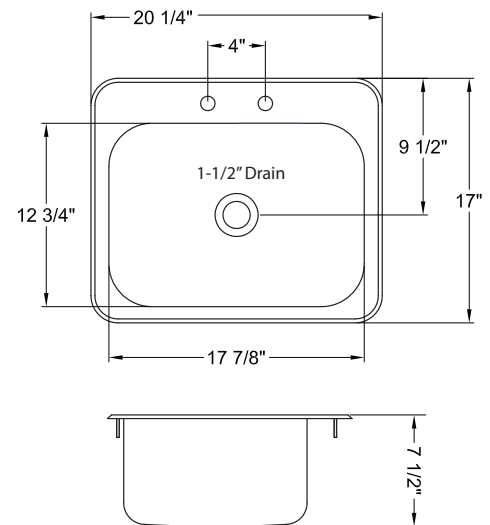
<b>Overall Size</b>	13"W x 17-1/2"L x 6-3/8"D
<b>Bowl Size</b>	11"W x 13-1/2"L x 6-3/8"D
<b>Cutout</b> (1/2" Radius)	11-1/2" x 16"
<b>Faucet</b>	4" Center Deck Mount with 4-1/2" Double Bend Spout, 1.8 GPM
<b>Weight</b>	8 lbs.



**HS-2017**  
20-1/4"W Drop-In Sink



<b>Overall Size</b>	20-1/4"W x 17-7/8"L x 7-1/2"D
<b>Bowl Size</b>	17-7/8"W x 12-3/4"L x 7-1/2"D
<b>Cutout</b> (1-1/4" Radius)	18-1/4" x 15-1/2"
<b>Faucet</b>	4" Center Deck Mount with 4-1/2" Gooseneck Spout, 1.8 GPM
<b>Weight</b>	10 lbs.



Warning: This product can expose you to chemicals including lead and lead compounds which are known to the State of California to cause cancer and birth defects or other reproductive harm. For more information go to [www.P65Warnings.ca.gov](http://www.P65Warnings.ca.gov).

