

## Dipper Well Faucet

Royal Series Plumbing



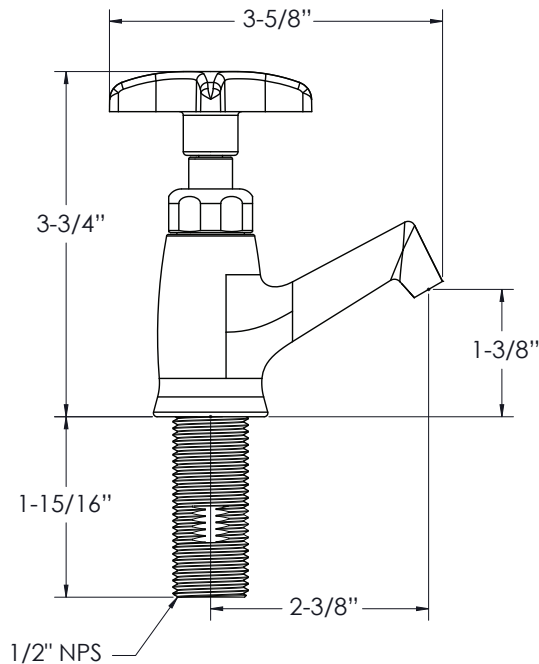
### Standard Features

- For use with Drop-In Dipper Well (16-150)
- Polished chrome cross handle knob
- 1/2" NPS inlet with included 1/4" NPT tailpiece

### Specifications

Water Inlet	1/2" NPS
Temp. Range	40°F - 140°F
Pressure	20-120 PSI
Rough In	7/8" single hole
Flow Rate	1.33 GPM (60 PSI)
Material	Solid brass
Finish	Polished chrome
Weight	1 lbs.

Model	Description
16-151L	Dipper Well Faucet



Dipper Well Faucet Replacement Valve (New Style)  
Fits Dipper Well Faucets 16-151L and 16-155L  
Model: **16-158**

### Product Compliance

- NSF-61 & NSF/ANSI 372
- NSF/ANSI/CAN 61: Q < 1
- ASME A112.18.1-2012/CSA B125.1-12
- Massachusetts Approved
- CEC Approved



**WARNING:**

Plumbing connections should be made by qualified personnel who will observe all applicable plumbing, sanitary and safety codes.

**California Prop 65 Warning:**

This product can expose you to chemicals including lead and lead compounds, which are known to the State of California to cause cancer and birth defects or other reproductive harm. For more information go to [www.P65Warnings.ca.gov](http://www.P65Warnings.ca.gov).