



Model: **16-33XL** Item #: _____ Date: _____
 Project: _____ Qty: _____ Approved By: _____

Single Lever Deck Mount Remote Valve

Royal Series Plumbing



16-33XL

Model	Description
16-33XL	Single Lever Deck Mount Remote Valve

Product Compliance

- NSF-61 & NSF/ANSI 372
- ASME A112.18.1-2011/CSA B125.1-11 & NSF/ANSI 372
- Meets ANSI A117.1 (ADA)
- Massachusetts Approved
- CEC Approved

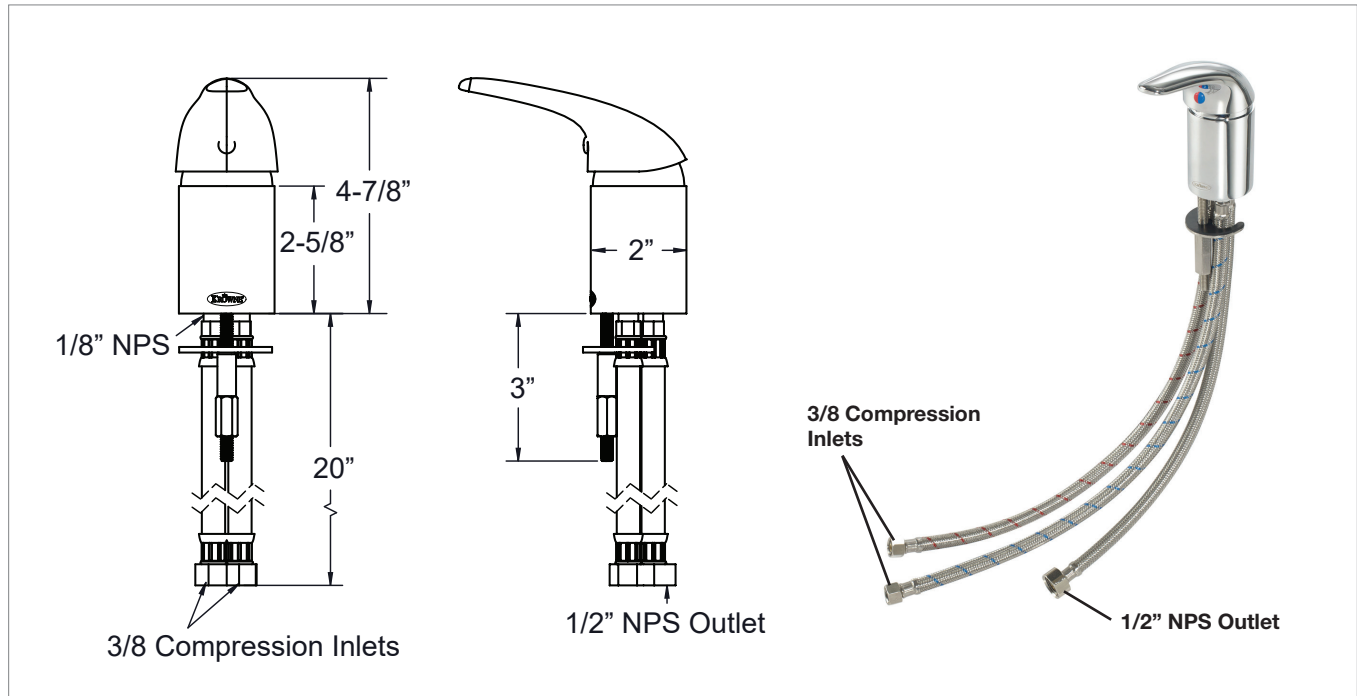


Standard Features

- Deck mounted control base with 1/2" NPS female outlet
- Ceramic cartridge valve with built-in temperature limit stop
- Pre-installed water lines with 3/8" compression female inlets
- Single lever handle with color coded index
- Connects to remote spout

Specifications

Control Base Water Inlet	3/8" Compression Inlets
Control Base Water Outlet	1/2" NPS Female
Mounting Style	Deck Mount
Centers	Single Hole
Control Base Rough In	1-1/2" Round Hole
Temperature Range	40°F - 180°F
Pressure	20 - 120 PSI
Material	Solid Brass
Finish	Chrome Plated Finish
Weight	4 lbs.



WARNING:
 Plumbing connections should be made by qualified personnel who will observe all applicable plumbing, sanitary and safety codes.

California Prop 65 Warning:
 This product can expose you to chemicals including lead and lead compounds, which are known to the State of California to cause cancer and birth defects or other reproductive harm. For more information go to www.P65Warnings.ca.gov.