

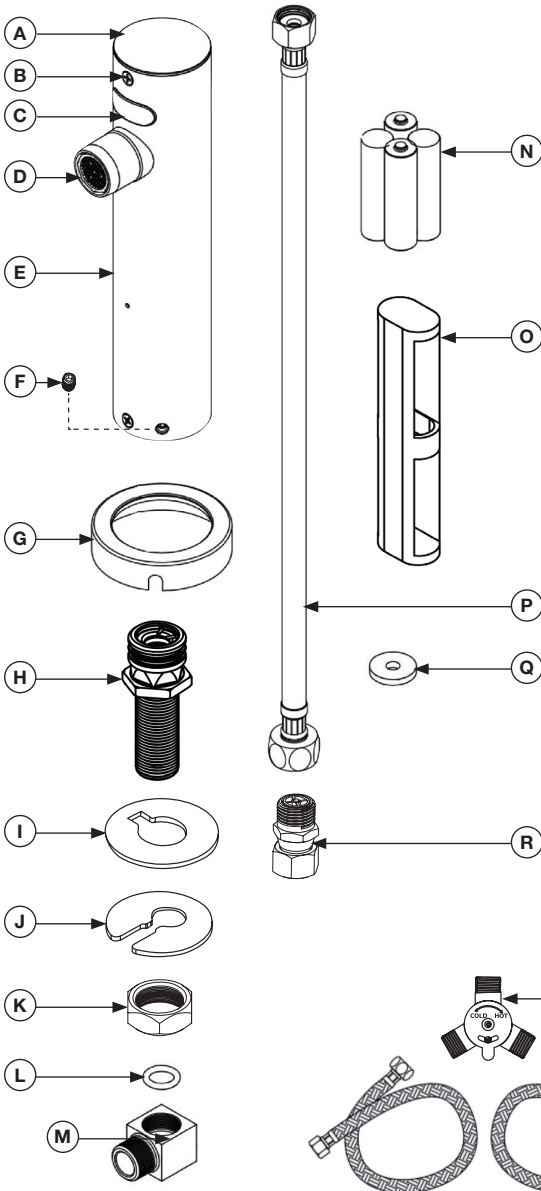


Single Hole Wall Mount Sensor Faucet with Straight Spout, Built-In Control Module Installation Manual

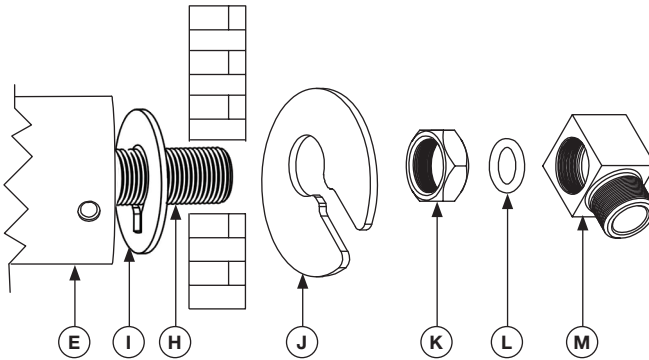
16-655



ROYAL
SERIES



Letter	Description
A	Top cover
B	Philips screw
C	Sensor
D	Aerator
E	Spout body
F	Inner hex screw
G	Fixed chassis
H	Threaded nipple
I	Gasket
J	Fixation gasket
K	Fixation nut
L	Rubber O-Ring
M	Elbow 3/8"
N	(4) AA batteries
O	Battery case
P	Water line
Q	Magnet
R	Filter Adapter 1/2" to 1/2"
S	Hot & cold water lines
T	Mechanical mixing valve



Installation Instructions

1. Ensure that water supply is turned off at the stops.
2. Remove faucet from packaging and inspect that all included components are present.
3. Using a Philips head screwdriver, remove the set screw **(B)** on the underside of the faucet body.
4. Remove the end cap **(A)** of the faucet to expose the battery compartment.
5. Carefully remove the battery case **(O)**, and install the included (4) AA batteries **(N)** into the holder. (Be careful to follow proper orientation).
6. Guide the faucet's threaded nipple **(H)** through the backsplash or wall. Be sure to install the gasket **(I)** between the faucet body **(E)** and the wall.
7. Secure the faucet to the backsplash or wall with the included washer **(J)** and locking nut **(K)**. Align the faucet so that it is level and tighten the lock nut.
8. Install the included 90 degree elbow **(M)** to the end of the threaded nipple **(H)** on the faucet.
9. Connect both the included water lines **(S)** to the hot and cold stops. Tighten.
10. Connect the hot and cold water lines **(S)** to the inlets of the included mechanical mixing valve **(T)**.
11. Install the included in-line debris filter **(R)** to the single outlet of the mechanical mixing valve **(T)**.
12. Connect the outlet water line **(P)** from the debris filter **(R)** to the installed 90 degree elbow **(M)**.
13. Set mechanical mixing valve adjustment tab in centered position (this can be adjusted for temperature).
14. Turn hot and cold water stops on and verify that no leaks are present.
15. Wave hand or object in front of sensor **(C)** to ensure operation.

Warranty



Please visit krowne.com/warranty for full terms and conditions regarding the warranty on your new Royal Series product.

Product Description	Warranty Period
Royal Series Plumbing	1 Year

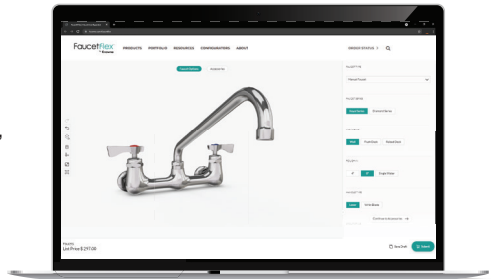
This Standard Warranty and Limitation of Liability (the "Warranty") sets forth the warranty provided by Krowne Metal Corporation (hereinafter "Krowne") with respect to the product purchased by Purchaser (the "Equipment"). By accepting delivery of the Equipment, Purchaser agrees to be bound by and accept these terms and conditions. All defined terms within the Warranty shall have the same meaning and definition as provided elsewhere in the Warranty. Equipment covered by the Warranty shall only be warranted in connection with its original installation only. Krowne will only be obligated to honor the warranty set forth in these terms and conditions upon receipt of full payment for the equipment.

FaucetFlex®
BY KROWNE



- Effortlessly configure a faucet, pre-rinse and much more
- Instant spec sheet generation
- Instant price generation

krowne.com/faucetflex



KROWNE®

100 Haul Rd. • Wayne, NJ 07470
krowne.com