

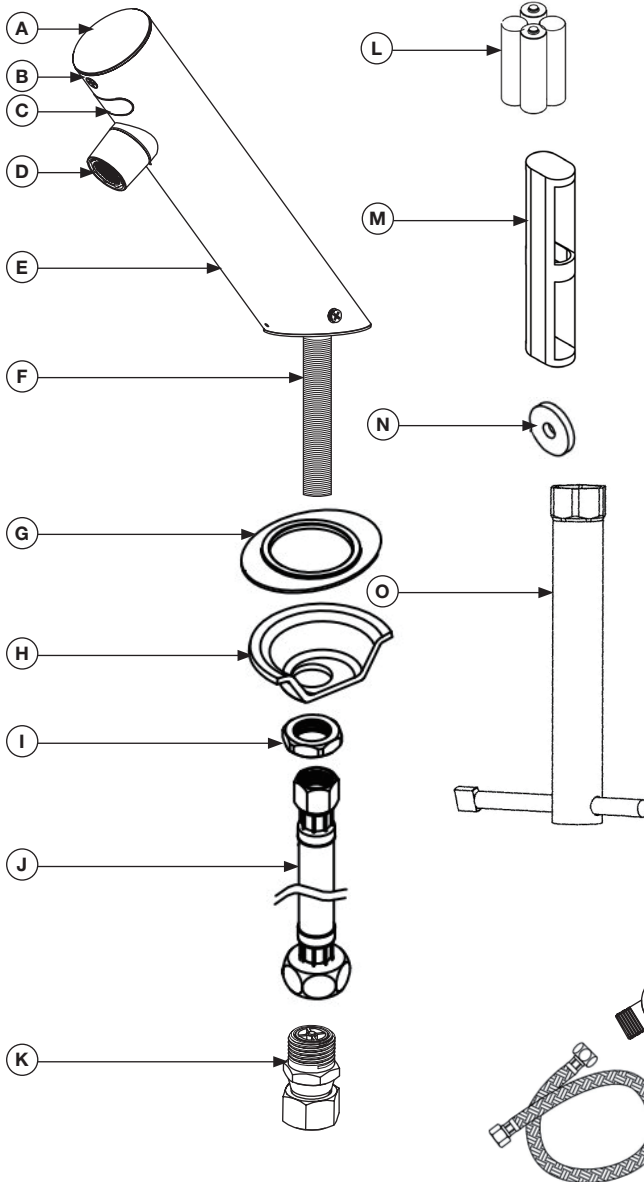


Single Hole Deck Mount Sensor Faucet with Angled Spout, Built-In Control Module Installation Manual

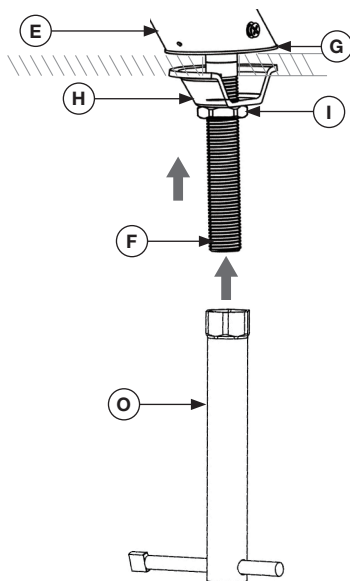
16-656



ROYAL
SERIES



Letter	Description
A	Top cover
B	Philips screw
C	Sensor
D	Aerator
E	Spout body
F	Threaded nipple
G	Rubber washer
H	Fixation gasket
I	Fixation nut
J	Water hose
K	Filter Adapter 1/2" to 1/2"
L	(4) AA batteries
M	Battery case
N	Magnet
O	Socket Wrench
P	Hot & cold water lines
Q	Mechanical mixing valve



Installation Instructions

1. Ensure that water supply is turned off at the stops.
2. Remove faucet from packaging and inspect that all included components are present.
3. Using a Phillips head screwdriver, remove the set screw **(B)** on the underside of the faucet body **(E)**.
4. Remove the end cap **(A)** of the faucet to expose the battery compartment.
5. Carefully remove the battery case **(M)**, and install the included (4) AA batteries **(L)** into the case. (Be careful to follow proper orientation).
6. Guide the faucet through sink deck or counter hole. Be sure to install the oval gasket **(G)** between the faucet body and the mounting surface.
7. Secure the faucet to the sink deck or counter with the included cup washer **(H)** and locking nut **(I)**. Align the faucet so that it is level and tighten the lock nut using the included socket wrench **(O)**.
8. Connect both the included water lines **(P)** to the hot and cold stops. Tighten.
9. Connect the hot and cold water lines **(P)** to the inlets of the included mechanical mixing valve **(Q)**.
10. Install the included in-line debris filter **(K)** to the single outlet of the mechanical mixing valve **(Q)**.
11. Connect outlet water line **(J)** from the debris filter **(K)** to the faucet supply nipple **(F)** and tighten.
12. Set mechanical mixing valve adjustment tab in centered position (this can be adjusted for temperature).
13. Turn hot and cold water stops on and verify that no leaks are present.
14. Wave hand or object in front of sensor **(C)** to ensure operation.

Warranty



Please visit krowne.com/warranty for full terms and conditions regarding the warranty on your new Royal Series product.

Product Description	Warranty Period
Royal Series Plumbing	1 Year

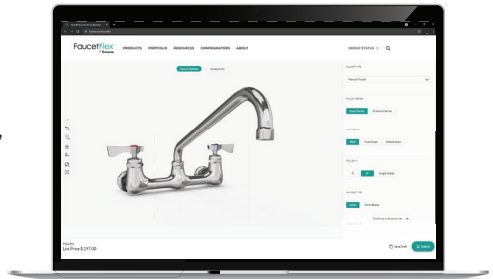
This Standard Warranty and Limitation of Liability (the "Warranty") sets forth the warranty provided by Krowne Metal Corporation (hereinafter "Krowne") with respect to the product purchased by Purchaser (the "Equipment"). By accepting delivery of the Equipment, Purchaser agrees to be bound by and accept these terms and conditions. All defined terms within the Warranty shall have the same meaning and definition as provided elsewhere in the Warranty. Equipment covered by the Warranty shall only be warranted in connection with its original installation only. Krowne will only be obligated to honor the warranty set forth in these terms and conditions upon receipt of full payment for the equipment.

FaucetFlex®
BY KROWNE



- Effortlessly configure a faucet, pre-rinse and much more
- Instant spec sheet generation
- Instant price generation

krowne.com/faucetflex



KROWNE®

100 Haul Rd. • Wayne, NJ 07470
krowne.com