



# STANDARD SERIES UNDERBAR SOAP & TOWEL DISPENSER

MODEL: **H-111** PROJECT: \_\_\_\_\_ ITEM #: \_\_\_\_\_ QTY: \_\_\_\_\_

## PRODUCT IMAGE



H-111 SHOWN

## STANDARD FEATURES

- Mounts to the wall
- Paper towel dispenses from bottom of unit

## SPECIFICATIONS

- Overall Height: 14 <sup>3</sup>/<sub>4</sub>"
- Overall Width: 16"
- Overall Depth: 9 <sup>1</sup>/<sub>2</sub>"
- Towel Dispenser Depth: 4 <sup>3</sup>/<sub>4</sub>"
- Towel Dispenser Height: 8"
- Shipping Weight: 5 lbs.



### APPROVED BY:

### CERTIFICATIONS:

Due to our commitment to continued product improvement, specifications are subject to change without notice.

Printed in the USA

**Krowne Metal Corporation**

100 Haul Rd. Wayne, NJ 07470 • Toll Free: (800) 631-0442 • Fax: (973) 872-1129  
sales@krowne.com • www.krowne.com • www.facebook.com/KrowneMetal • www.twitter.com/KrowneMetal

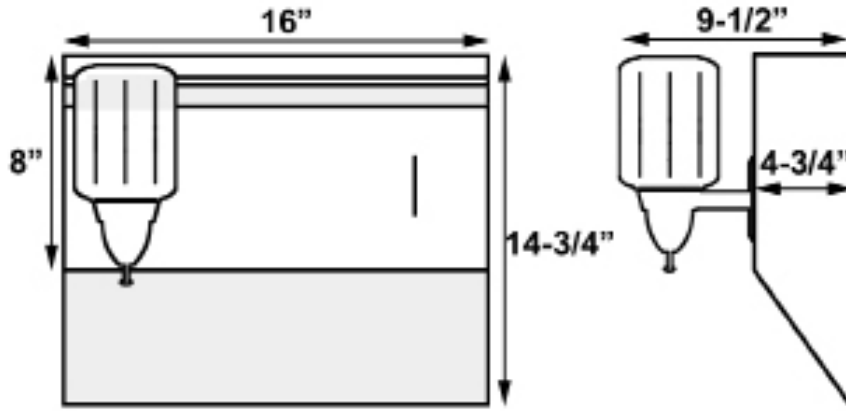
Rev. 09/2011  
No. H-111



# STANDARD SERIES UNDERBAR SOAP & TOWEL DISPENSER

MODEL: **H-111** PROJECT: \_\_\_\_\_ ITEM #: \_\_\_\_\_ QTY: \_\_\_\_\_

## DRAWING



**APPROVED BY:**

**CERTIFICATIONS:**

Due to our commitment to continued product improvement, specifications are subject to change without notice.

Printed in the USA

**Krowne Metal Corporation**

100 Haul Rd. Wayne, NJ 07470 • Toll Free: (800) 631-0442 • Fax: (973) 872-1129  
sales@krowne.com • www.krowne.com • www.facebook.com/KrowneMetal • www.twitter.com/KrowneMetal

Rev. 09/2011  
No. H-111