



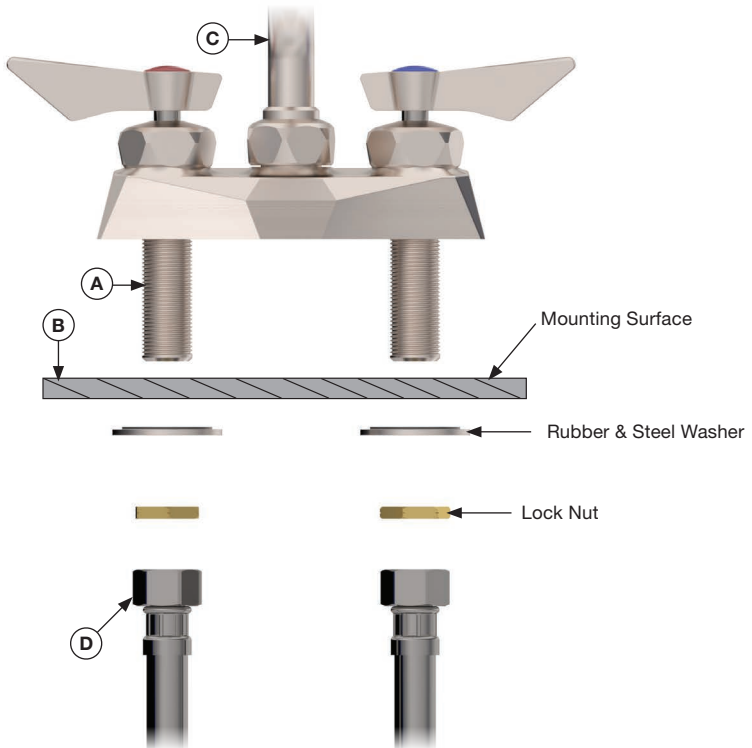
4" Center Deck Mount Faucet Installation Manual

DX-3 Faucets



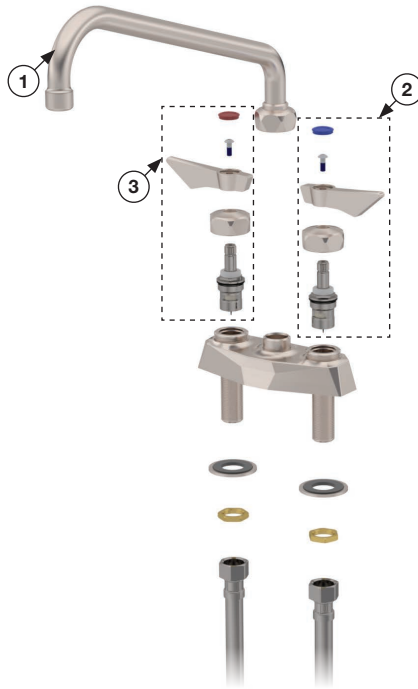
DIAMOND™
series

WARNING: Plumbing connections should be made by qualified personnel who will observe all applicable plumbing, sanitary and safety codes.



Installation Instructions

1. Turn off water supply at main source before proceeding with installation.
2. Apply thread sealant tape or pipe joint compound to the ends of each threaded nipple **(A)**.
3. From the front of the sink, insert the threaded nipples into the faucet holes in the mounting surface **(B)**.
4. From the back of the sink, place the included combination rubber & steel washer and lock nut from the included kit onto the threaded nipples and tighten with a wrench.
5. From the front of the sink, install the spout **(C)** and tighten properly.
6. From the back of the sink, install the included stainless steel braided flexible supply hoses **(D)** and tighten properly.



Scan to view
aerator options

Parts Guide

| No. | Model | Description |
|-----|--------|--|
| 1 | DX-420 | 6" Swing Spout |
| 1 | DX-421 | 8" Swing Spout |
| 1 | DX-422 | 10" Swing Spout |
| 1 | DX-423 | 12" Swing Spout |
| 1 | DX-424 | 14" Swing Spout |
| 1 | DX-425 | 16" Swing Spout |
| 1 | DX-426 | 18" Jointed Spout |
| 1 | DX-430 | 4-1/2" Double Bend Gooseneck |
| 1 | DX-431 | 6" Double Bend Gooseneck |
| 1 | DX-432 | 8-1/2" Double Bend Gooseneck |
| 2 | DX-708 | Cold 1/4 Turn High Performance Ceramic Cartridge Valve |
| 3 | DX-709 | Hot 1/4 Turn High Performance Ceramic Cartridge Valve |

Warranty



Please visit krowne.com/warranty for full terms and conditions regarding the warranty on your new Diamond Series product.

| Product Description | Warranty Period |
|-------------------------|-----------------|
| Diamond Series Plumbing | Lifetime |

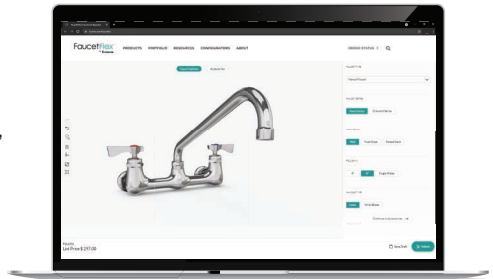
This Standard Warranty and Limitation of Liability (the "Warranty") sets forth the warranty provided by Krowne Metal Corporation (hereinafter "Krowne") with respect to the product purchased by Purchaser (the "Equipment"). By accepting delivery of the Equipment, Purchaser agrees to be bound by and accept these terms and conditions. All defined terms within the Warranty shall have the same meaning and definition as provided elsewhere in the Warranty. Equipment covered by the Warranty shall only be warranted in connection with its original installation only. Krowne will only be obligated to honor the warranty set forth in these terms and conditions upon receipt of full payment for the equipment.

FaucetFlex®
BY KROWNE



- Effortlessly configure a faucet, pre-rinse and much more
- Instant spec sheet generation
- Instant price generation

krowne.com/faucetflex



KROWNE®

100 Haul Rd. • Wayne, NJ 07470
krowne.com