

Self-Contained Pass Thru Back Bar Refrigeration

ROYAL SERIES



KPT60L-KSS

Standard Features

- Doors on both sides make it accessible from front & back
- 35"H without Top, 36"H with 1" Optional Top
- 26" Front to Back Depth (27-1/2" with Top)
- Stainless steel handles with built-in locks
- Built-in Cool White LED Lighting (7000K)
- Digital thermostat, DynamicChill 360° Technology
- Heated mullion to minimize condensation
- Approved for NSF 7 Open Food Storage
- Choice of Door Styles and Finish
- NSF Epoxy Coated Durable Wire Shelves. One Bottom and Two Adjustable Shelves Per Door
- Pre-drilled bottom for optional legs or casters (uses 1/4-20 self tapping 1/2"L screw)
- R290 Hydrocarbon Refrigerant
- Eco-friendly Refrigerant and Insulation
- 5-Year Compressor Warranty
- 2-Year Parts & Labor Warranty

Base Model	Length	Doors	Amps	Bottle Capacity	HP	Weight
KPT36	36"	2	1.7	165	1/5	325 lbs.
KPT52	52"	4	2.2	285	1/4	435 lbs.
KPT60	60"	4	2.2	375	1/4	445 lbs.
KPT72	72"	6	2.2	455	1/4	580 lbs.
KPT84	84"	6	2.7	585	1/3	600 lbs.

Case Capacity

Base Model	Long Neck Bottles	12 oz. Cans	Wine Bottles
KPT36	7	10	72
KPT52	12	20	126
KPT60	15.5	23	162
KPT72	19	30	180
KPT84	24.5	34	248

Specifications

Electrical	115V, 1 Phase, 60 Hz Furnished with 8' plug-in cord, which exists left or right rear of cooler NEMA 5-15P plug configuration Dedicated 15 Amp circuit recommended
Refrigeration	Self-contained R290 Hydrocarbon Refrigerant 30°F-40°F operating range (set at 35°F) unless specified otherwise
Plumbing	No drain required Condensate evaporator pan included
Insulation	2" thick foamed-in-place polyurethane
Interior	20 gauge stainless steel with coved corners NSF epoxy coated durable wire shelves (one bottom and two adjustable shelves per door) Floor rack per door Standard Door opening: 19-15/16"W x 29-11/16"H Narrow Door opening: 15-15/16"W x 29-11/16"H
Exterior	Sides: 20 gauge stainless steel or black vinyl Front: 20 gauge stainless steel, black vinyl or glass Back: 20 gauge stainless steel, black vinyl or glass Top: 20 gauge stainless steel

This equipment is intended for the storage and display of non-potentially hazardous bottle or canned products only.

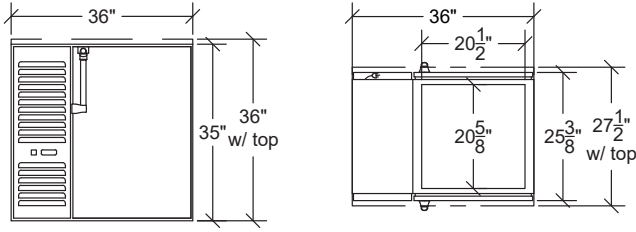
This equipment is intended for use in an area where the ambient temperature typically does not exceed 75 °F.



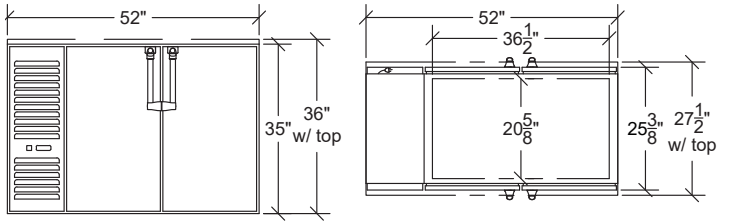
Self-Contained Pass Thru Back Bar Refrigeration

ROYAL SERIES

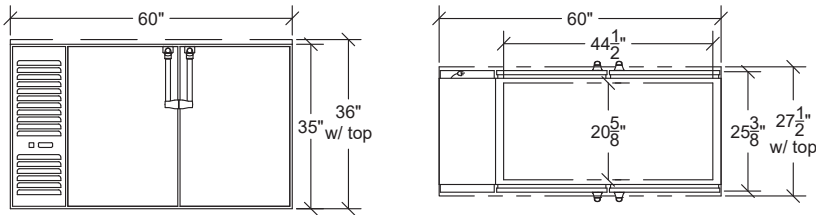
KPT36 (36")



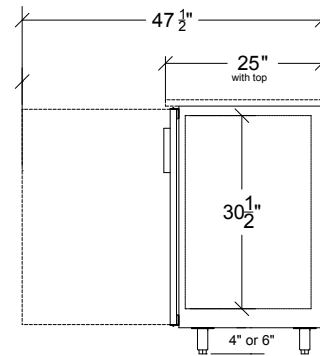
KPT52 (52")



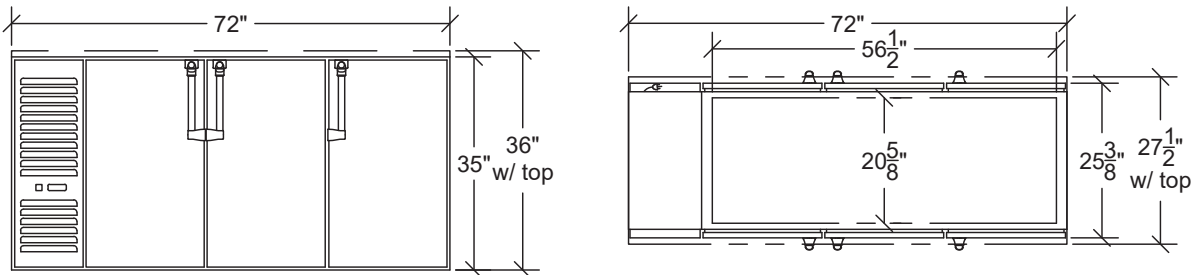
KPT60 (60")



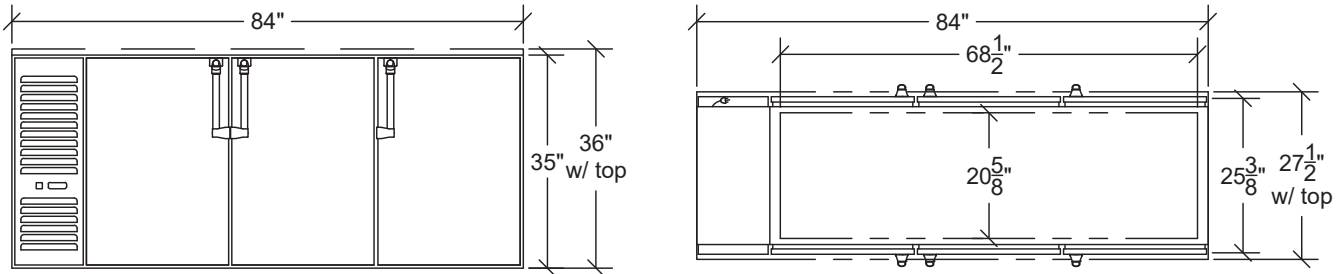
Standard Door Side View - All Models



KPT72 (72")



KPT84L (84")



Note: Optional casters raise height 1" higher than wheel size

Note: Optional 4" or 6" legs available

