

# Slide Top Mug Frosters

Refrigeration



MC48B

## Standard Features

- 34" High x 24" Front to Back Depth
- Two layers of shelving
- Coved corner stainless steel interior
- Automatic defrost timer with push button manual mode
- Digital thermostat
- R290 Hydrocarbon Refrigerant
- Eco-friendly refrigerant and insulation
- Rugged grab bar handle
- Pre-drilled bottom for optional casters (uses 1/4-20 self tapping 1/2"L screw)
- 5-Year Compressor Warranty
- 2-Year Parts & Labor Warranty

## Models

Model	Length	Height	Depth	Exterior Finish	Doors	Shelf Layers	Mug Capacity (10 oz.)	Weight	Amps	HP
MC24B	24"	34"	24"	Black Vinyl	1	2	95	160 lbs.	2.5	1/3
MC36B	36"	34"	24"	Black Vinyl	1	2	165	200 lbs.	2.6	1/3
MC48B	48"	34"	24"	Black Vinyl	2	2	240	260 lbs.	2.7	1/3
MC24S	24"	34"	24"	Stainless Steel	1	2	95	160 lbs.	2.5	1/3
MC36S	36"	34"	24"	Stainless Steel	1	2	165	200 lbs.	2.6	1/3
MC48S	48"	34"	24"	Stainless Steel	2	2	240	260 lbs.	2.7	1/3

## Optional Accessories

Model	Description
BS-100	6" Stainless Steel Legs (Set of 4)
BS-102	4" Stainless Steel Legs (Set of 4)
BS-106	Left Side Kick Plate
BS-107	Right Side Kick Plate
BS-124	24" Front Kick Plate
BC-130	2" Overall Casters (1" Wheels, Set of 4)
BC-132	3" Overall Casters (2" Wheels, Set of 4)
BC-134	4" Overall Casters (3" Wheels, Set of 4)
BC-136	5" Overall Casters (4" Wheels, Set of 4)
BC-138	6" Overall Casters (5" Wheels, Set of 4)



This equipment is intended for the storage and display of non-potentially hazardous bottle or canned products only.

This equipment is intended for use in an area where the ambient temperature typically does not exceed 75 °F.

## Specifications

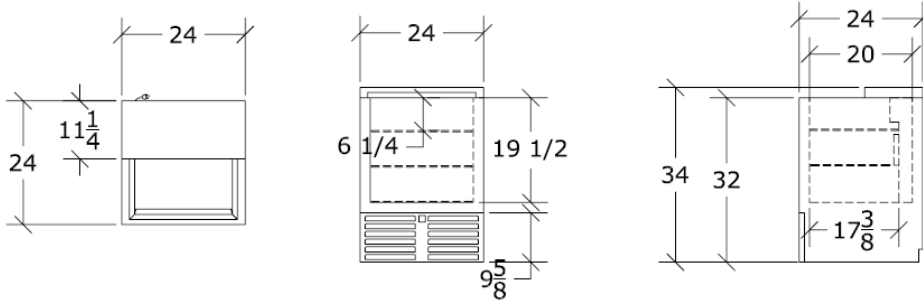
<b>Electrical</b>	<ul style="list-style-type: none"> <li>▪ 115 V, 1 Phase, 60 Hz</li> <li>▪ Furnished with 8'-0" plug-in cord, which exits left or right rear of cooler</li> <li>▪ NEMA 5-15P plug configuration</li> <li>▪ Dedicated 15 amp circuit recommended</li> </ul>
<b>Refrigeration</b>	<ul style="list-style-type: none"> <li>▪ R290 Hydrocarbon Refrigerant</li> <li>▪ 12°F - 17°F operating range</li> <li>▪ Digital thermostat on front grille</li> </ul>
<b>Plumbing</b>	<ul style="list-style-type: none"> <li>▪ No drain required</li> <li>▪ Floor drain connects to condensate evaporator pan</li> </ul>
<b>Insulation</b>	<ul style="list-style-type: none"> <li>▪ Foamed-in-place polyurethane</li> </ul>
<b>Interior</b>	<ul style="list-style-type: none"> <li>▪ 20 gauge stainless steel walls with coved corners</li> <li>▪ NSF epoxy coated durable shelves - units come standard with 2 layers of shelves. Optional third level available for 36" and 48" models.</li> </ul>
<b>Exterior</b>	<ul style="list-style-type: none"> <li>▪ Stainless steel or black vinyl</li> </ul>
<b>Doors</b>	<ul style="list-style-type: none"> <li>▪ Top load sliding door with rugged grab bar handle</li> </ul>

## Slide Top Mug Frosters

Refrigeration

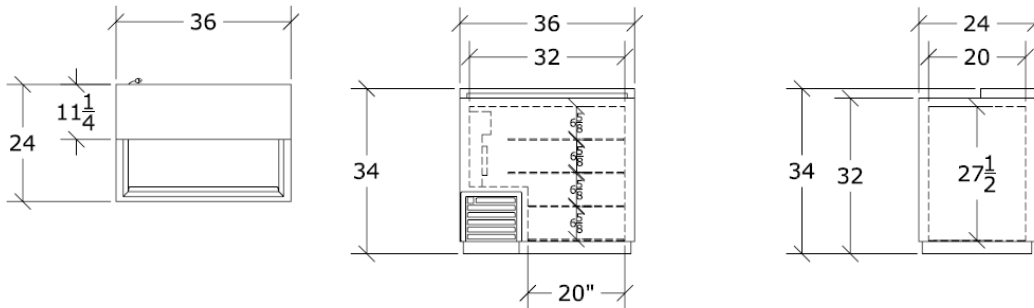
### 24" One-Door

Models MC24S, MC24B



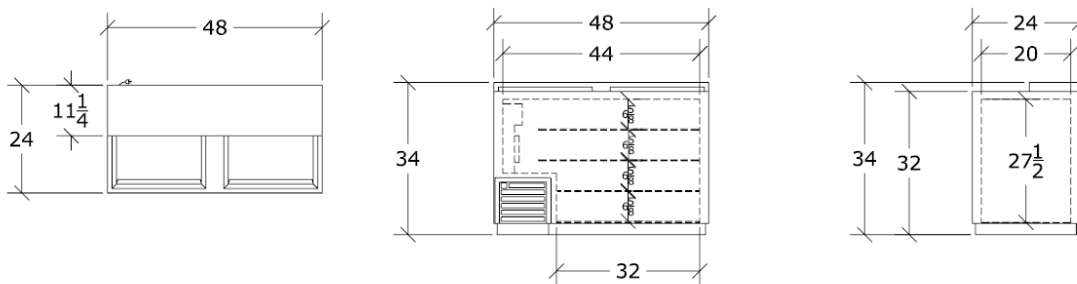
### 36" One-Door

Models MC36S, MC36B



### 48" Two-Door

Models MC48S, MC48B



This equipment is intended for the storage and display of non-potentially hazardous bottle or canned products only.

This equipment is intended for use in an area where the ambient temperature typically does not exceed 75 °F.

**Note:** Optional casters raise height 1" higher than wheel size