

## 8" Center Deck Mount Faucets

## SILVER SERIES



13-806L

Model	Spout Type	Spout Length (A)	Spout Height (B)	Base to Top (C)	Weight
13-806L	Standard	6"	2-1/4"	4-5/8"	2.5 lbs.
13-808L	Standard	8"	2-5/8"	5"	3 lbs.
13-810L	Standard	10"	3"	5-3/8"	2.5 lbs.
13-812L	Standard	12"	3-3/8"	5-3/4"	3.5 lbs.
13-814L	Standard	14"	3-5/8"	6"	3 lbs.
13-816L	Standard	16"	4-1/8"	6-3/8"	3 lbs.
13-8XXL	Base Only	-	-	-	2 lbs.

### Standard Features

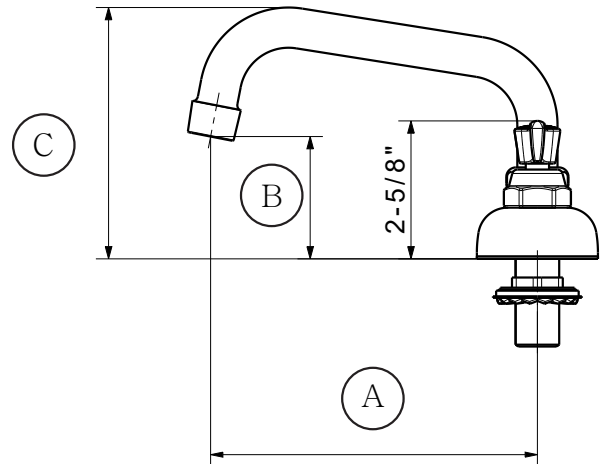
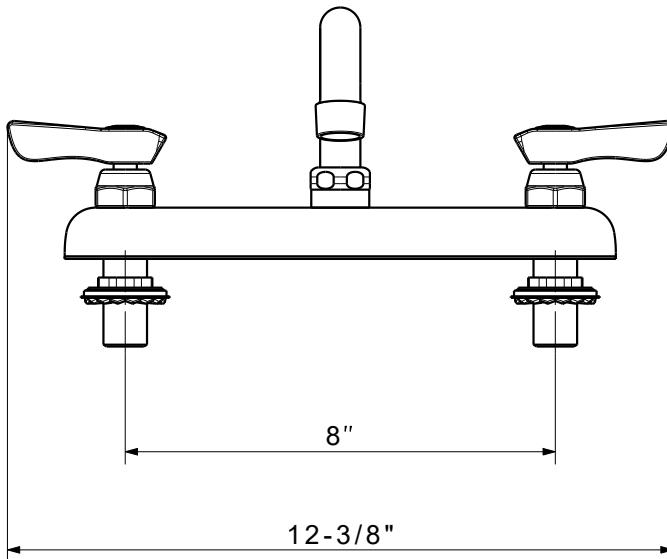
- 1/4 turn ceramic valves
- Durable full range swing spout with double o-ring construction
- Lever handles with vandal resistant wrist blade, handle upgrade option

### Specifications

Water Inlet	1/2" NPS Male
Temp. Range	40°F - 180°F
Rough In	7/8" Round Holes on 4" Center
Flow Rate	1.8 GPM
Material	Chrome Plated Brass

### Product Compliance

- NSF-61 & NSF/ANSI 372
- NSF/ANSI/CAN 61: Q < 1
- ASME A112.18.1-2012/CSA B125.1-12
- Massachusetts Listed
- CEC Listed
- Meets ANSI A117.1 (ADA)



#### Warning:

Plumbing connections should be made by qualified personnel who will observe all applicable plumbing, sanitary and safety codes

#### California Prop 65 Warning:

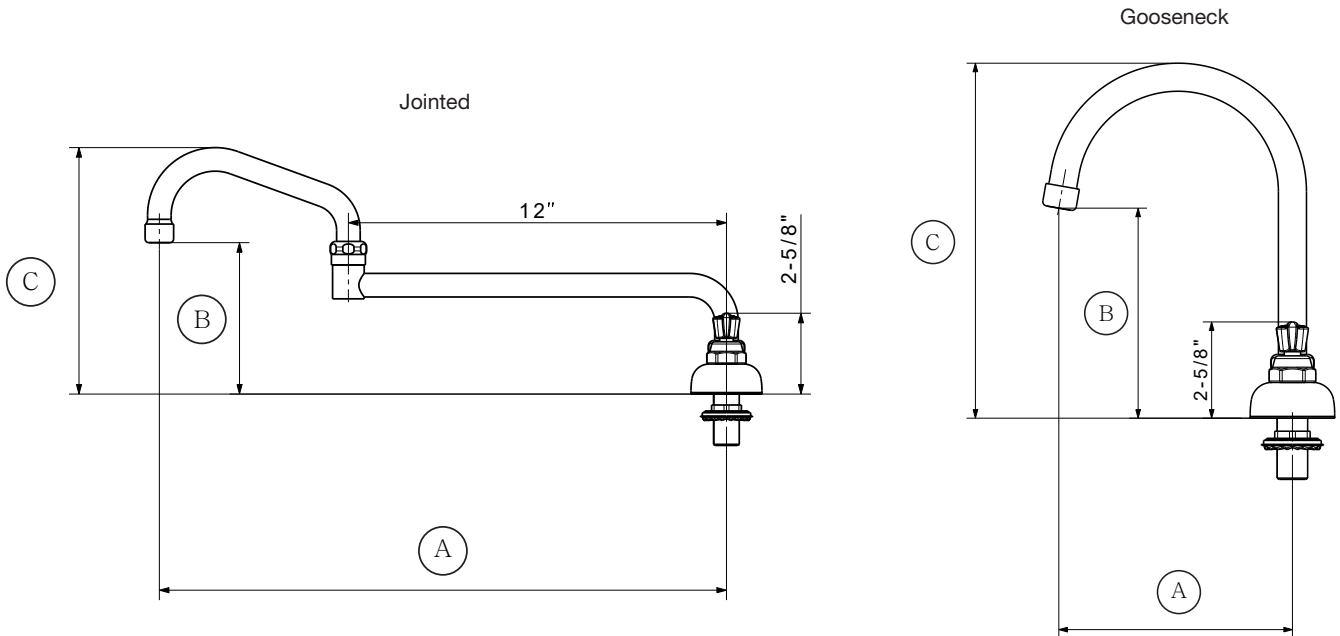
This product can expose you to chemicals including lead and lead compounds, which are known to the State of California to cause cancer and birth defects or other reproductive harm. For more information go to [www.P65Warnings.ca.gov](http://www.P65Warnings.ca.gov).

## 8" Center Deck Mount Faucets

## SILVER SERIES



Model	Spout Type	Spout Length (A)	Spout Height (B)	Base to Top (C)	Weight
13-801L	Gooseneck	6"	5-5/8"	9-1/2"	2.5 lbs
13-802L	Gooseneck	8-1/2"	7-7/8"	12-5/8"	3 lbs
13-818L	Jointed	18"	4-3/4"	7-7/8"	3.5 lbs
13-824L	Jointed	24"	7"	10"	4 lbs



**Warning:**

Plumbing connections should be made by qualified personnel who will observe all applicable plumbing, sanitary and safety codes

**California Prop 65 Warning:**

This product can expose you to chemicals including lead and lead compounds, which are known to the State of California to cause cancer and birth defects or other reproductive harm. For more information go to [www.P65Warnings.ca.gov](http://www.P65Warnings.ca.gov).