

## Single Hole Deck Mount Metering Faucet

ROYAL SERIES



### Standard Features

- Self-closing metering valve with adjustable timed flow
- Factory preset at 10 seconds
- Adjustable from 5-60 seconds
- Requires less than 5lbs of operating force to activate flow per ANSI 117.1
- Vandal resistant push button cap

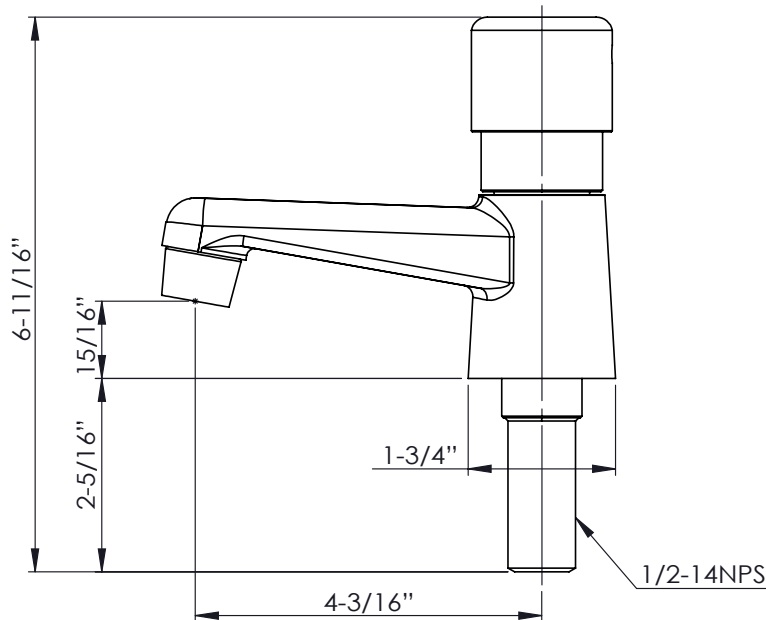
### Specifications

Water Inlet	1/2" NPS Male
Temp. Range	40°F - 180°F
Rough In	7/8" Round Hole
Flow Rate	1.5 GPM
Material	Chrome Plated Brass
Weight	3 lbs.

Model	Description
14-544L	Single Hole Deck Mount Metering Faucet

### Product Compliance

- NSF-61 & NSF/ANSI 372
- NSF/ANSI/CAN 61: Q < 1
- ASME A112.18.1-2012/CSA B125.1-12
- Meets ANSI A117.1 (ADA)
- Massachusetts Listed



#### Warning:

Plumbing connections should be made by qualified personnel who will observe all applicable plumbing, sanitary and safety codes

#### California Prop 65 Warning:

This product can expose you to chemicals including lead and lead compounds, which are known to the State of California to cause cancer and birth defects or other reproductive harm. For more information go to [www.P65Warnings.ca.gov](http://www.P65Warnings.ca.gov).