

4" Deck Mount Lavatory Faucet

ROYAL SERIES



Standard Features

- 1/4 turn high performance ceramic cartridge valves with integral check valve
- Vandal resistant wrist blade handles
- Color coded index
- Additional 1.5 GPM aerator included

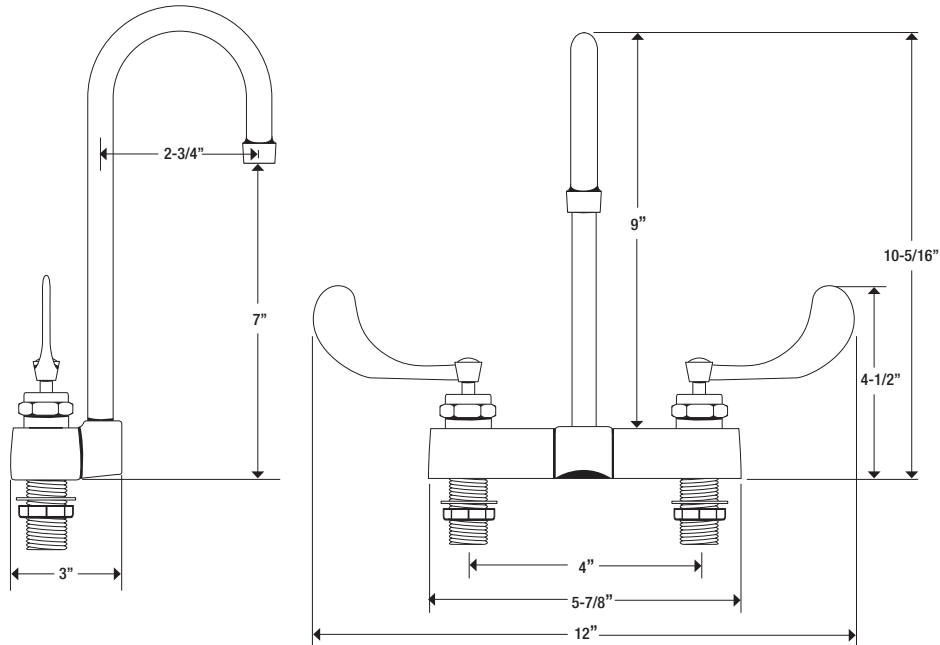
Specifications

Water Inlet	1/2" NPS Male
Temp. Range	40°F - 180°F
Rough In	7/8" Round Holes on 4" Center
Flow Rate	0.5 GPM
Material	Chrome Plated Brass
Weight	3 lbs

Model	Description
14-546L	4" Deck Mount Lavatory Faucet with 3-3/4" Wide Rigid Gooseneck Spout

Product Compliance

- NSF-61
- NSF/ANSI/CAN 61: Q < 1
- ASME A112.18.1-2011/CSA B125.1-11 & NSF/ANSI 372
- Meets ANSI A117.1 (ADA)
- Massachusetts Approved



Warning:

Plumbing connections should be made by qualified personnel who will observe all applicable plumbing, sanitary and safety codes

California Prop 65 Warning:

This product can expose you to chemicals including lead and lead compounds, which are known to the State of California to cause cancer and birth defects or other reproductive harm. For more information go to www.P65Warnings.ca.gov.