

Single Handle Lavatory Faucet

ROYAL SERIES



Standard Features

- Ceramic cartridge valve with metal stem
- Single lever handle

Specifications

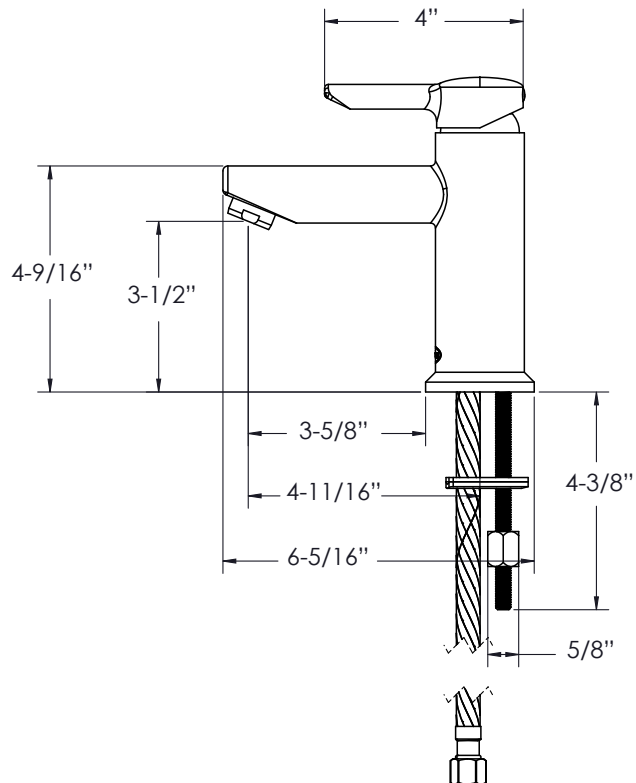
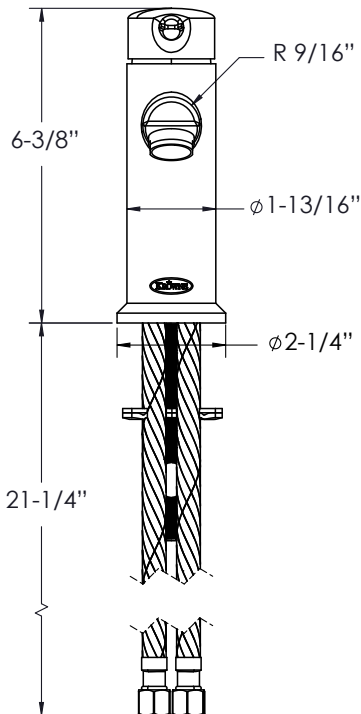
Water Inlet	Pre-Installed 3/8" Water Lines
Temp. Range	40°F - 180°F
Rough In	1-1/4" Single Hole
Flow Rate	1.2 GPM
Material	Chrome Plated 304 Stainless Steel
Weight	2 lbs.

Product Compliance

- Meets ANSI A117.1 (ADA)
- ASME A112.18.1-2024/CSA B125.1-24
- NSF/ANSI 61-2015
- NSF/ANSI 372-2024



Model	Description
14-550L	Single Hole Single Handle Faucet



Warning:

Plumbing connections should be made by qualified personnel who will observe all applicable plumbing, sanitary and safety codes

California Prop 65 Warning:

This product can expose you to chemicals including lead and lead compounds, which are known to the State of California to cause cancer and birth defects or other reproductive harm. For more information go to www.P65Warnings.ca.gov.