

## Single Hole Deck Mount Metering Lavatory Faucet

ROYAL SERIES



### Standard Features

- Self-Closing metering valves with adjustable timed flow (3-20 seconds)
- Factory preset closing time of 10 seconds
- Vandal resistant push button caps
- Requires less than 5lbs of operating force to activate flow per ANSI 117.1

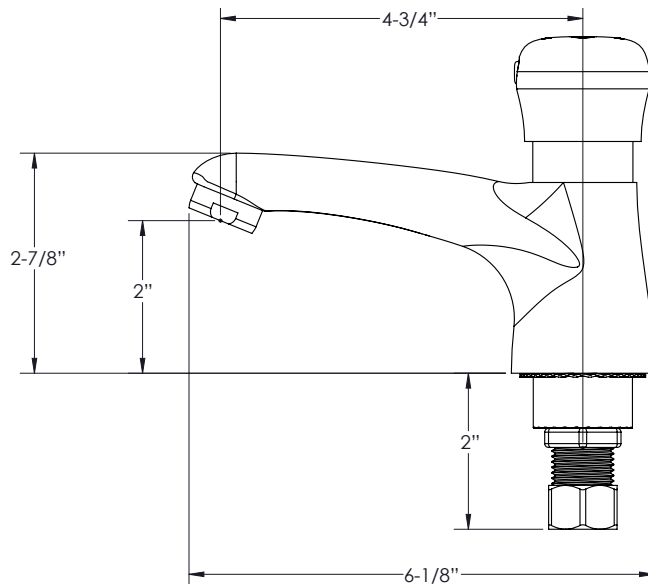
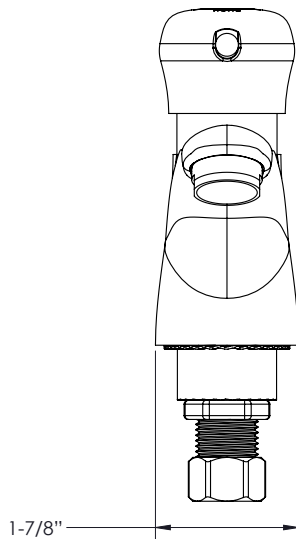
### Specifications

Water Inlet	1/2" NPS Male
Temp. Range	40°F - 180°F
Rough In	7/8" Single Hole
Flow Rate	2.2 GPM
Material	Chrome Polished Brass
Weight	2 lbs.

Model	Description
14-560L	Single Hole Deck Mount Metering Lavatory Faucet

### Product Compliance

- NSF/ANSI/CAN 372-2022
- ASME A112.18.1-2018/CSA B125.1-18
- Meets ANSI A117.1 (ADA)
- ASME A112.18.1-2024/CSA B125.1-24
- NSF/ANSI 61-2015
- NSF/ANSI 372-2024



#### Warning:

Plumbing connections should be made by qualified personnel who will observe all applicable plumbing, sanitary and safety codes

#### California Prop 65 Warning:

This product can expose you to chemicals including lead and lead compounds, which are known to the State of California to cause cancer and birth defects or other reproductive harm. For more information go to [www.P65Warnings.ca.gov](http://www.P65Warnings.ca.gov).