



Model: 14-580L Item #: \_\_\_\_\_ Date: \_\_\_\_\_  
 Project: \_\_\_\_\_ Qty: \_\_\_\_\_ Approved By: \_\_\_\_\_

**4" Deck Mount Lavatory Faucet w/ Cast Spout & Wrist Blade Handles** **Royal Series Plumbing**



**Description**

- 4" Center Deck Mount Lavatory Faucet with Wrist Blade Handles, Polished Chrome Finish, 1.5 GPM Male Aerator Installed

**Standard Features**

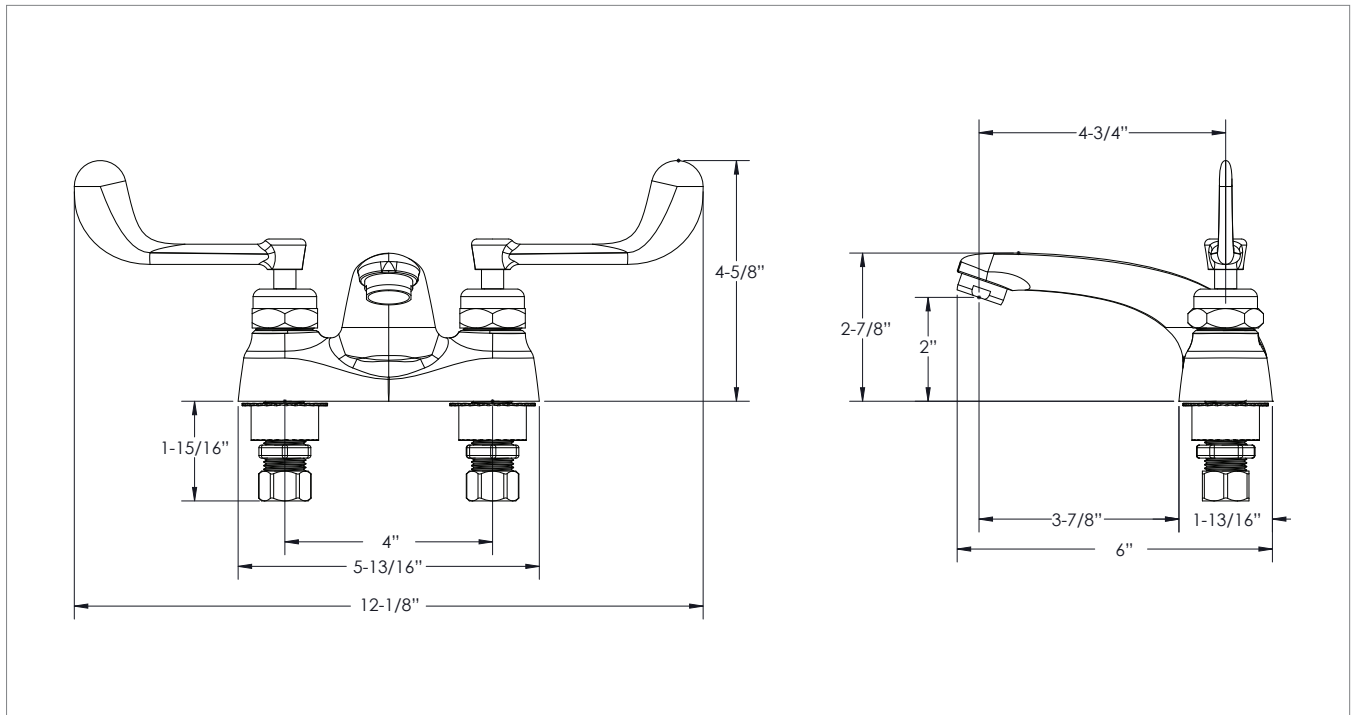
- 1/4 Turn high performance ceramic cartridge valves with integral check valve
- Vandal resistant wrist blade handles
- Color coded index
- Warranty: 3 Year

**Specifications**

<b>Water Inlet</b>	1/2" NPS Male
<b>Temp. Range</b>	40°F - 180°F
<b>Pressure</b>	20-120 PSI
<b>Rough In</b>	7/8" Round Holes on 4" Center
<b>Flow Rate</b>	1.5 GPM
<b>Material</b>	Solid Brass
<b>Finish</b>	Polished Chrome
<b>Weight</b>	3 lbs.

**Product Compliance**

- ASME A112.18.1-2012/CSA B125.1-12
- NSF-61 & NSF/ANSI 372
- Meets ANSI A117.1 (ADA)
- CEC Listed
- Massachusetts Approved



WARNING: Plumbing connections should be made by qualified personnel who will observe all applicable plumbing, sanitary and safety codes.  
 WARNING: This product can expose you to chemicals including lead and lead compounds, which are known to the State of California to cause cancer and birth defects or other reproductive harm. For more information go to [www.P65Warnings.ca.gov](http://www.P65Warnings.ca.gov).