

## 8" Wall Mount Center Faucets

## ROYAL SERIES



14-801L

Model	Max Height (A)	Spout Height (B)	Spout Length (C)	Spout Type
14-801L	8-5/8"	5-1/4"	6"	Wide Gooseneck
14-802L	11-3/4"	7-1/2"	8-1/2"	Wide Gooseneck
14-806L	5-1/16"	2"	6"	Swing
14-808L	5-3/4"	2-3/4"	8"	Swing
14-810L	6-1/2"	3-1/2"	10"	Swing
14-812L	6-1/2"	3-1/8"	12"	Swing
14-814L	8"	5"	14"	Swing
14-816L	8-3/4"	5-3/4"	16"	Swing
14-818L	8"	5"	6"	Joint
14-824L	9-1/2"	6-1/8"	12"	Joint
14-8XXL	-	-	-	None

### Product Compliance

- NSF-61 & NSF/ANSI 372
- NSF/ANSI/CAN 61: Q < 1
- ASME A112.18.1-2011/CSA B125.1-11 & NSF/ANSI 372
- Meets ANSI A117.1 (ADA)
- CEC Listed
- Massachusetts Approved



#### Warning:

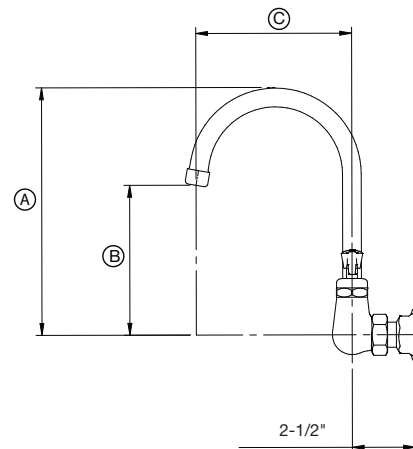
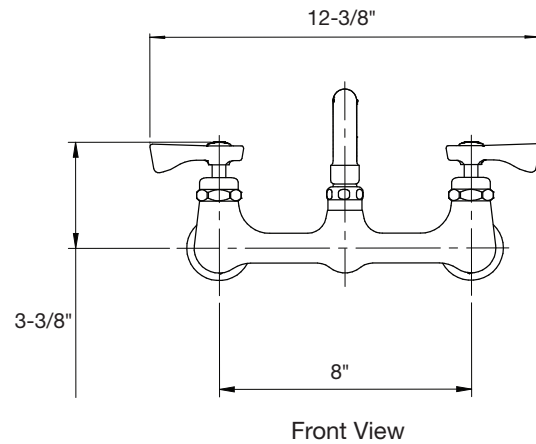
Plumbing connections should be made by qualified personnel who will observe all applicable plumbing, sanitary and safety codes

### Standard Features

- Center wall mounted
- 1/4 turn high performance ceramic valves
- Lever handles (vandal resistance wristblade handles available)
- Durable full range swing spout with double o-ring construction
- Mounting kit (21-194L): Includes (2) 1/2" NPS x 1-1/2" brass nipples, (2) lock nuts, (2) rosette washers and (2) rubber gaskets
- Hot and Cold color indicators

### Specifications

Water Inlet	1/2" NPS Male, Kit Installed
Temp. Range	40°F - 180°F
Rough In	7/8" Round Holes on 4" Center
Flow Rate	1.8 GPM
Material	Chrome Plated Brass
Weight	6 lbs.



#### California Prop 65 Warning:

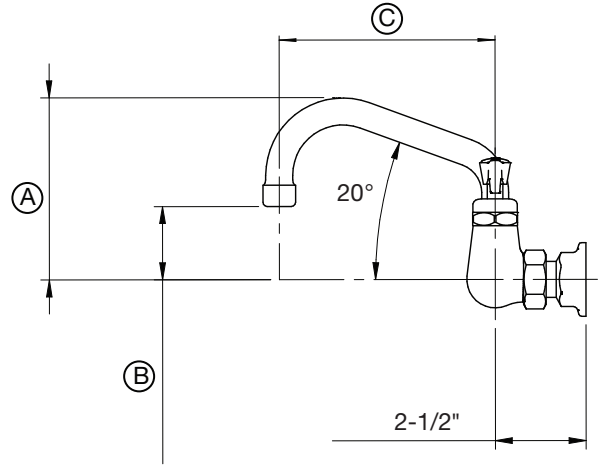
This product can expose you to chemicals including lead and lead compounds, which are known to the State of California to cause cancer and birth defects or other reproductive harm. For more information go to [www.P65Warnings.ca.gov](http://www.P65Warnings.ca.gov).

## 8" Wall Mount Center Faucets

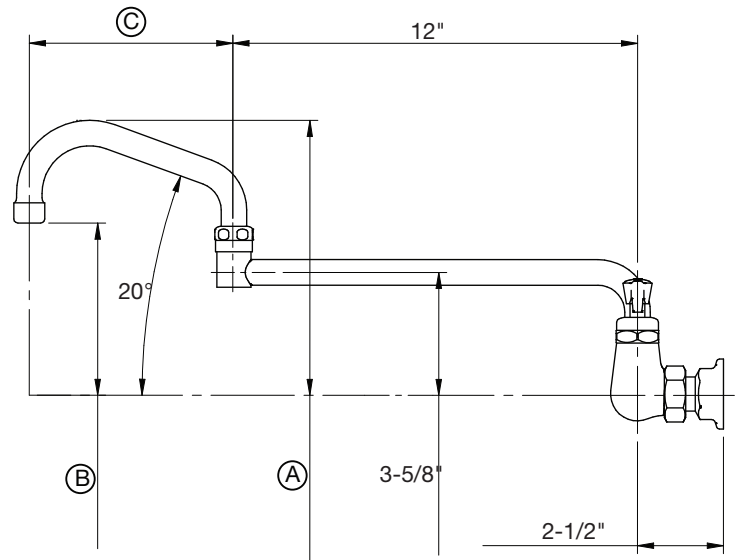
## ROYAL SERIES



14-806L



14-824L



**Warning:**

Plumbing connections should be made by qualified personnel who will observe all applicable plumbing, sanitary and safety codes

**California Prop 65 Warning:**

This product can expose you to chemicals including lead and lead compounds, which are known to the State of California to cause cancer and birth defects or other reproductive harm. For more information go to [www.P65Warnings.ca.gov](http://www.P65Warnings.ca.gov).