

8" Center Deck Mount Faucets

ROYAL SERIES



15-506L



15-501L

Model	Spout Type	Spout Length (A)	Spout Height (B)	Base to Top (C)	Weight
15-501L	Gooseneck	6"	6-1/8"	10"	4.5 lbs.
15-502L	Gooseneck	8-1/2"	8-1/2"	13-1/8"	4.5 lbs.
15-506L	Swing	6"	2-1/4"	5-1/4"	4.5 lbs.
15-508L	Swing	8"	3"	6"	4.5 lbs.
15-510L	Swing	10"	3-3/4"	6-3/4"	4.5 lbs.
15-512L	Swing	12"	4-3/8"	7-3/8"	4.75 lbs.
15-514L	Swing	14"	5-1/8"	8-1/8"	4.5 lbs.
15-516L	Swing	16"	5-7/8"	8-7/8"	4.5 lbs.
15-525L	Gooseneck	3-1/2"	6-1/4"	8-3/4"	4.5 lbs.
15-5XXL	-	-	-	3-1/4"	3.5 lbs.

Standard Features

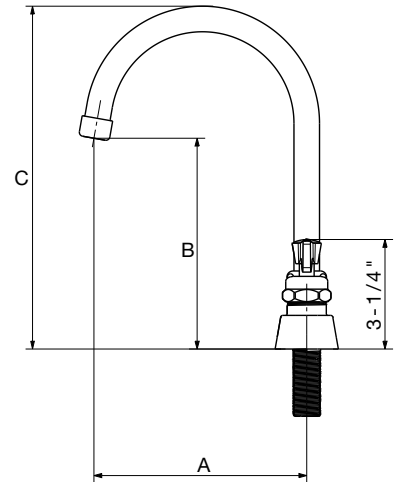
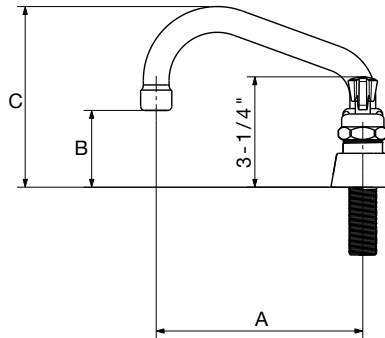
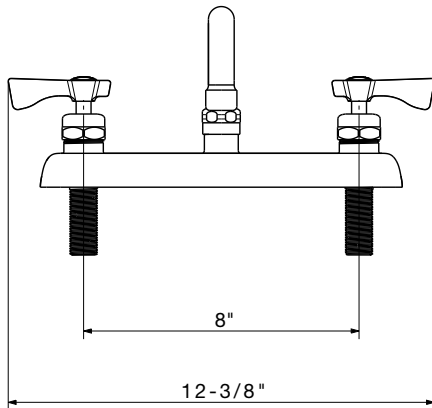
- 1/4 turn high performance ceramic cartridge valves with integral check
- Durable full range swing spout with double o-ring construction
- Lever handles with a vandal resistant wrist blade handle upgrade option

Specifications

Water Inlet	1/2" NPS Male
Temp. Range	40°F - 180°F
Rough In	7/8" Round Holes on 4" Center
Flow Rate	1.8 GPM
Material	Chrome Plated Brass

Product Compliance

- NSF-61 & NSF/ANSI 372
- NSF/ANSI/CAN 61: Q < 1
- ASME A112.18.1-2011/CSA B125.1-11 & NSF/ANSI 372
- Massachusetts Approved
- CEC Approved



Warning:

Plumbing connections should be made by qualified personnel who will observe all applicable plumbing, sanitary and safety codes

California Prop 65 Warning:

This product can expose you to chemicals including lead and lead compounds, which are known to the State of California to cause cancer and birth defects or other reproductive harm. For more information go to www.P65Warnings.ca.gov.