

## Front Mount Dipper Well with Faucet

## ROYAL SERIES



### Standard Features

- Mounts on front with (3) screws (not included)
- Removeable 4-compartment divider/overflow for flexible tool separation and easy cleaning
- Rubber edge guard helps prevent glassware chipping and scratching
- Mounting bracket and screws for dipper well faucet

### Specifications (Bowl)

Material	304 Stainless Steel
Finish	Satin
Weight	4 lbs.

Model	Description
16-153L	Front Mount Dipper Well with Dipper Well Faucet

### Product Compliance

#### Dipperwell

- NSF-61 & NSF/ANSI 372
- NSF/ANSI/CAN 61: Q < 1
- ASME A112.18.1-2018/CSA B125.1-18

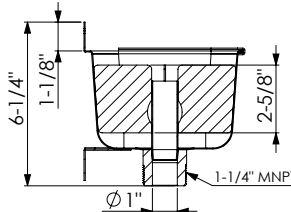
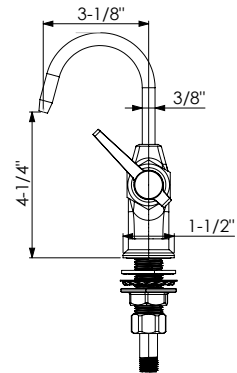
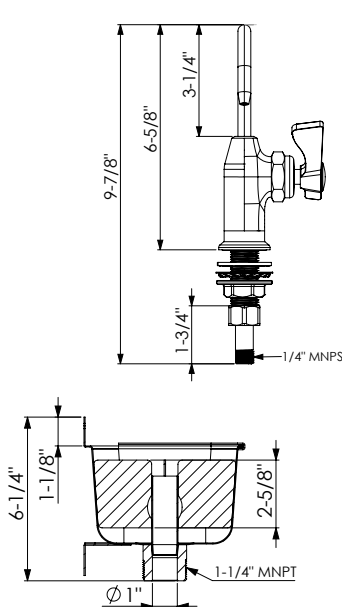
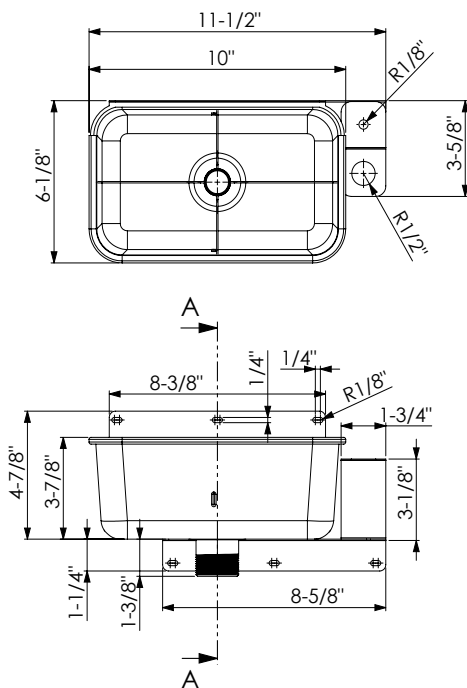


#### Bowl

- ASME A112.19.3/CSA B45.4

### Specifications (Faucet)

Model	16-550
Water Inlet	1/2" NPS Male; 1/4" NSP Male Adapter
Temp. Range	40°F - 180°F
Pressure	20-125 PSI
Rough In	7/8" Hole
Flow Rate	0.4 GPM
Material	Chrome Plated Brass



SECTION A-A

#### Warning:

Plumbing connections should be made by qualified personnel who will observe all applicable plumbing, sanitary and safety codes

#### California Prop 65 Warning:

This product can expose you to chemicals including lead and lead compounds, which are known to the State of California to cause cancer and birth defects or other reproductive harm. For more information go to [www.P65Warnings.ca.gov](http://www.P65Warnings.ca.gov).