



Single Hole Wall Mount Faucet Installation Manual

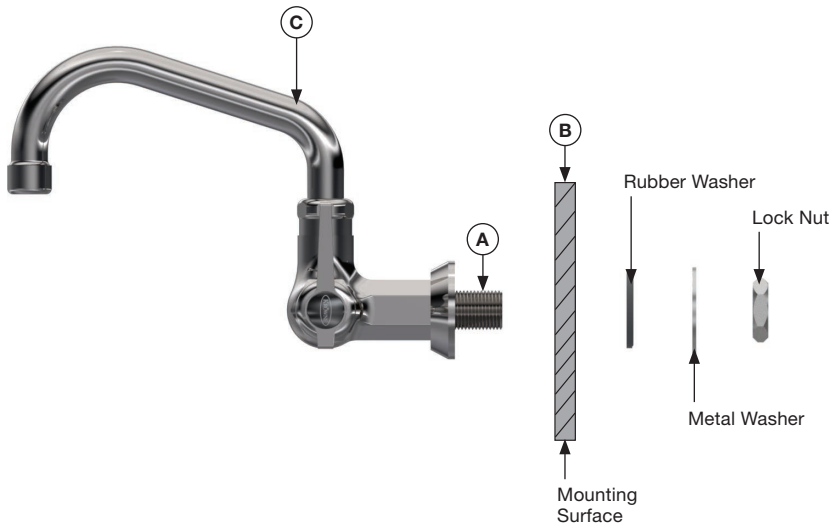
16-170L, 16-171L, 16-178L, 16-179L, 16-181L, 16-182L



ROYAL
SERIES

WARNING: Plumbing connections should be made by qualified personnel who will observe all applicable plumbing, sanitary and safety codes.

Note: For easy installation, we highly recommend using our E-Z Install Flexible Water Lines (Model 21-443L). These do not need Teflon tape or pipe joint compound that are shown on the back of this booklet. They come with 90-degree 1/2" compression fittings on one side and 3/8" compression fittings that secure directly onto the supply stops. Available in 22", 24" & 30" lengths.

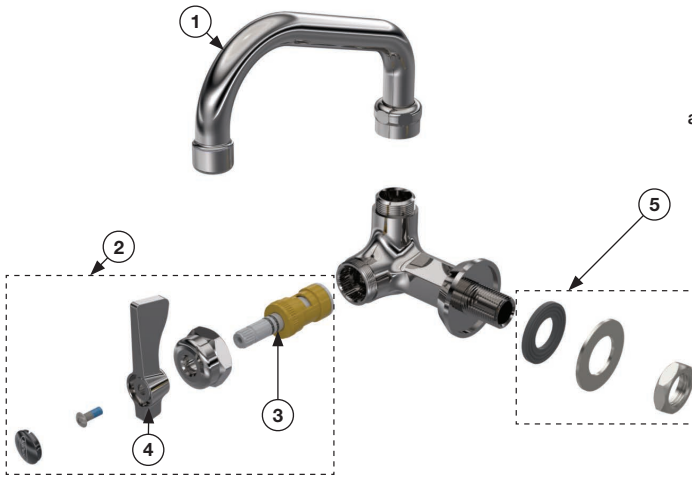


Installation Instructions

1. Turn off water supply at main source before proceeding with installation.
2. Apply thread sealant tape or pipe joint compound to the end of the threaded nipple (A).
3. From the front of the sink, insert the threaded nipple into the faucet hole in the wall (B).
4. From the back of the sink, place the included rubber washer, metal washer, and lock nut onto the threaded nipple and tighten with a wrench (in that order).
5. From the front of the sink, install the spout (C) and tighten properly.
6. From the back of the sink, install the water supply line and tighten properly.



Scan to view
aerator options



Parts Guide

No.	Model	Description
1	21-420L	6" Swing Spout
1	21-421L	8" Swing Spout
1	21-422L	10" Swing Spout
1	21-423L	12" Swing Spout
1	21-424L	14" Swing Spout

No.	Model	Description
1	21-425L	16" Swing Spout
1	21-428L	6"W Gooseneck Spout
1	21-429L	8-1/2"W Gooseneck Spout
1	21-431L	6"W Double Bend Spout
1	21-432L	8-1/2"W Double Bend Spout

No.	Model	Description
2	21-308L	Cold 1/4 Turn Ceramic Cartridge Valve
2	21-309L	Hot 1/4 Turn Ceramic Cartridge Valve
3	21-333L	Cold 1/4 Turn Ceramic Cartridge Valve, Less Handle
3	21-334L	Hot 1/4 Turn Ceramic Cartridge Valve, Less Handle
4	21-306	Lever Handle Kit (includes hot & cold handles)
5	21-190L	Standard Wall Mounting Kit

Accessories

Model	Description
21-311	Wrist Blade Handle Kit (includes hot & cold handles)
21-443L	E-Z Install Flexible Water Line Kit

Warranty



Please visit krowne.com/warranty for full terms and conditions regarding the warranty on your new Royal Series product.

Product Description	Warranty Period
Royal Series Plumbing	3 Years

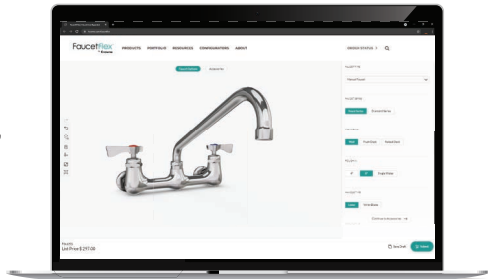
This Standard Warranty and Limitation of Liability (the "Warranty") sets forth the warranty provided by Krowne Metal Corporation (hereinafter "Krowne") with respect to the product purchased by Purchaser (the "Equipment"). By accepting delivery of the Equipment, Purchaser agrees to be bound by and accept these terms and conditions. All defined terms within the Warranty shall have the same meaning and definition as provided elsewhere in the Warranty. Equipment covered by the Warranty shall only be warranted in connection with its original installation only. Krowne will only be obligated to honor the warranty set forth in these terms and conditions upon receipt of full payment for the equipment.

FaucetFlex®
BY KROWNE



- Effortlessly configure a faucet, pre-rinse and much more
- Instant spec sheet generation
- Instant price generation

krowne.com/faucetflex



KROWNE®

100 Haul Rd. • Wayne, NJ 07470
krowne.com