

## Single Hole Deck Mount Pantry Faucets

## ROYAL SERIES



16-200L

16-202L

Model	Spout Length (A)	Spout Height (B)	Spout Type	Weight
16-200L	6"	4-1/2"	Swing	2.25 lbs.
16-201L	12"	6-3/4"	Swing	2.5 lbs.
16-202L	3-1/2"	8-1/2"	Wide Gooseneck	2.5 lbs.
16-203L	6"	8-1/2"	Wide Gooseneck	2.75 lbs.
16-208L	8"	4-3/4"	Swing	2.5 lbs.
16-2XXL	-	-	Base Only	1.5 lbs.

### Standard Features

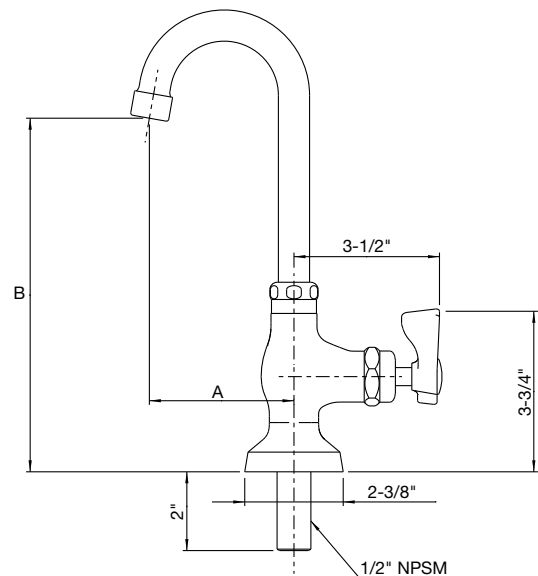
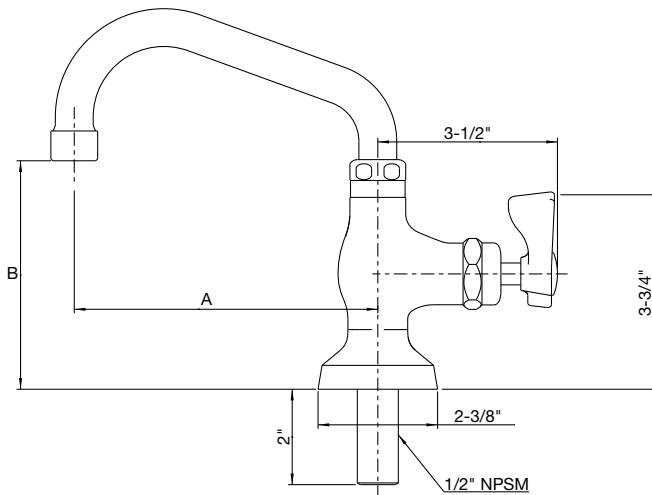
- 1/4 Turn high performance ceramic cartridge valve with integral check valve
- Durable full range swing and gooseneck spouts with double o-ring construction
- Hot and Cold color indicators
- Lever Handle
- Mounting hardware included

### Specifications

Water Inlet	1/2" NPS Male
Temp. Range	40°F - 180°F
Rough In	7/8" Round Hole
Flow Rate	1.8 GPM
Material	Chrome Plated Brass

### Product Compliance

- NSF-61 & NSF/ANSI 372
- NSF/ANSI/CAN 61: Q < 1
- ASME A112.18.1-2012/CSA B125.1-12
- Massachusetts Approved
- CEC Approved



#### Warning:

Plumbing connections should be made by qualified personnel who will observe all applicable plumbing, sanitary and safety codes

#### California Prop 65 Warning:

This product can expose you to chemicals including lead and lead compounds, which are known to the State of California to cause cancer and birth defects or other reproductive harm. For more information go to [www.P65Warnings.ca.gov](http://www.P65Warnings.ca.gov).