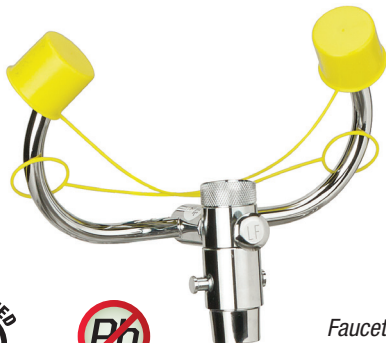




Model: **16-232L** Item #: _____ Date: _____
 Project: _____ Qty: _____ Approved By: _____

Faucet-Mount Eyewash

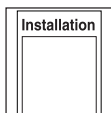
Plumbing



Faucet not included

SPECIFICATIONS

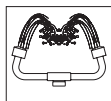
- Low-cost eyewash mounts easily to both standard and gooseneck faucets
- For eyewash use, leave cold water supply on at all times
- To operate unit, pull diverter pin toward user
- For faucet use, water flow is activated by the use of the shutoff pin. Push the pin to the opposite side for water flow
- To eliminate the risk of scalding the eyes during use, it is recommended that hot water supply to the faucet be disconnected or that tempered water be provided



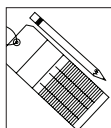
Read this installation manual completed to ensure proper installation, then file it with the owner or maintenance department. Compliance and conformity to drain requirements and other local codes and ordinances is the responsibility of the installer.



Separate parts from packaging and make sure all parts are accounted for before discarding packaging material.



The ANSI Z358.1 standard requires an uninterrupted supply of flushing fluid. Plumbed emergency fixtures require a minimum of 30 PSI (0.21 MPa) flowing pressure. Flushing fluid should be tepid per ANSI Z358.1



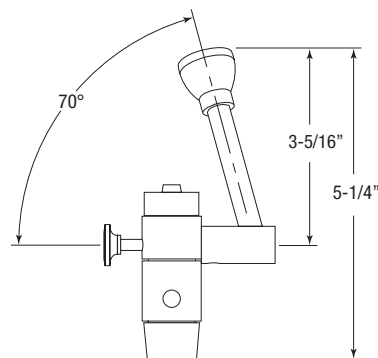
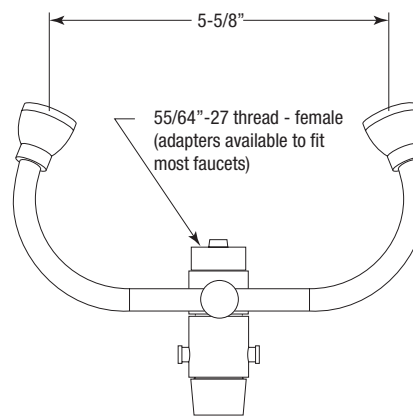
The inspection and testing results of this equipment should be recorded weekly to verify proper operation. This equipment should be inspected annually to ensure compliance with ANSI Z358.1

STANDARD FEATURES

- Laboratory application
- Complies with American National Standard Z358.1
- Universal mount for both standard & gooseneck faucets (faucets not included)
- Includes universal sign and inspection tag
- Full one-year warranty
- Classified by Underwriters Laboratory Inc. to ANSI Z358.1
- Lead Free design (Wetted surface contains less than 0.25% lead)

STANDARD EQUIPMENT

- Standard Sprayhead Assembly - Chrome-plated brass sprayhead assembly with twin eyewash heads and highly visible yellow plastic protective covers. Safe, steady water under varying water supply conditions from 30-90 PSI is assured by integral control in the sprayhead assembly.
- Adapter - Chrome-plated brass adapter replaces faucet aerator; provides for eyewash mounting to faucet. Standard thread on standard or gooseneck faucets with 55/64" x 27 thread (male). Unit is also provided with two adapters to convert the standard thread to faucets with 15/16" x 27 thread (female) and 13/16" x 27 thread (female).
- Diverter - Chrome-plated brass diverter attaches to adapter. Provides for one-step activation which complies with ANSI Standard Z358.1 when installed and used properly.



WARNING: This product can expose you to chemicals including lead and lead compounds which are known to the State of California to cause cancer and birth defects or other reproductive harm. For more information go to www.p65warnings.ca.gov.