

Jet Rinser

ROYAL SERIES



Model	Description
16-440	Royal Series Jet Rinser

Standard Features

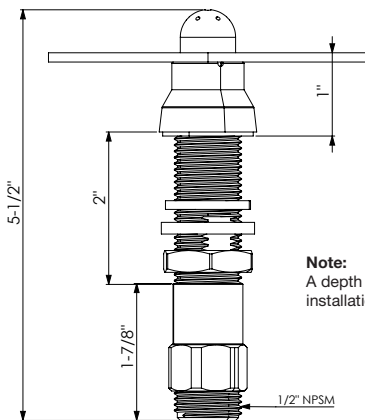
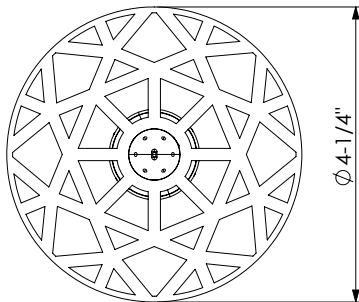
- Stainless steel rinser plate
- Integrated pressure regulator
- Removable snap in/out rinser plate for cleaning
- 360° swivel rinser plate
- Simple installation with basic plumbing connection
- Flat edges on the shank to help secure the assembly in place when installing
- Rubber sleeve prevents liquid from entering the valve, eliminating clogging

Specifications

Pressure Regulation	21 PSI
Inlet Connection	1/2" NPS Male
Rinser Plate	Stainless Steel 11Ga 90° spray angle
Rough In	7/8"
Weight	1 lb

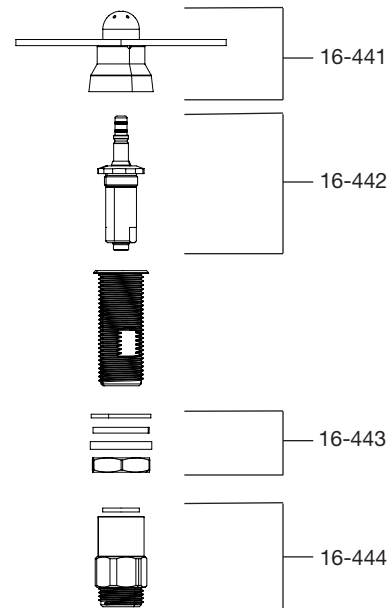
Product Compliance

- ASME A112.18.1-2024/CSA B125.1-24, NSF/ANSI 61-2015, NSF/ANSI 372-2024



Note:
A depth of 1" is recommended for a flush installation in a recessed drip tray

Replacement Parts



Warning:

Plumbing connections should be made by qualified personnel who will observe all applicable plumbing, sanitary and safety codes

California Prop 65 Warning:

This product can expose you to chemicals including lead and lead compounds, which are known to the State of California to cause cancer and birth defects or other reproductive harm. For more information go to www.P65Warnings.ca.gov.