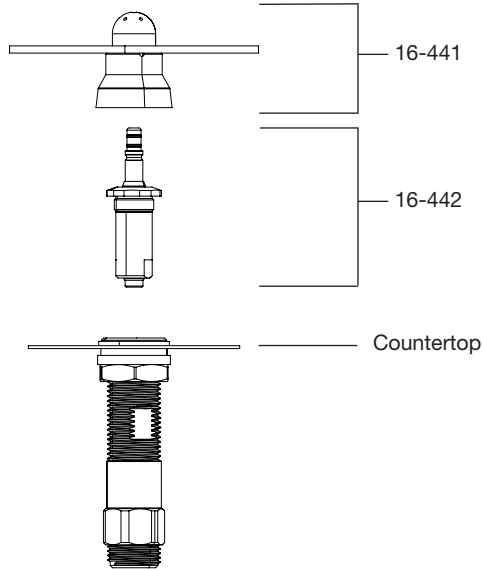


WARNING: Plumbing connections must be performed by a qualified plumber in accordance with all applicable plumbing, sanitary, and safety codes.



Step-by-Step Procedure

1) Shut Off Main Water Supply

Ensure the main water line feeding the glass rinser is fully shut off before servicing.

2) Remove Rinser Plate (16-441)

Firmly pull up on the rinser plate with rubber sleeve (16-441) to pop it off the cartridge valve stem.

3) Remove Existing Cartridge Valve (16-442)

Unscrew the cartridge valve from the rinser body using appropriate tool as needed.

4) Dispose of Old Cartridge Valve

Remove and discard the old cartridge valve per standard disposal practices.

5) Install New Cartridge Valve (16-442)

Drop the new cartridge valve into place and tighten securely—do not overtighten.

6) Reinstall Rinser Plate (16-441)

Snap the rinser plate with rubber sleeve back onto the cartridge valve stem until fully seated.

7) Restore Water Supply

Turn the main water line back on and check for proper operation and leaks.