

Single Hole Deck Mount Faucet

ROYAL SERIES



Standard Features

- 1/4 turn high performance ceramic cartridge valve with integral check
- 20" water lines with 3/8" compression fittings
- Lever handles
- Color coded index

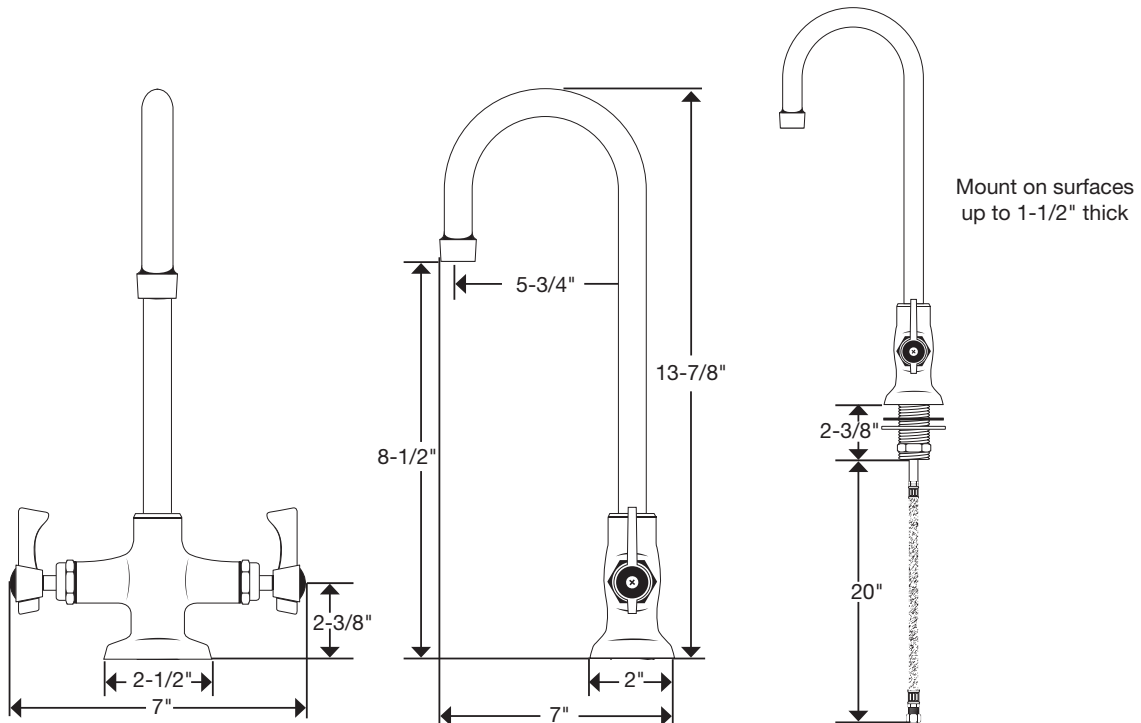
Specifications

Water Inlet	3/8" Compression Fittings
Temp. Range	40°F - 180°F
Rough In	1-1/4" Hole
Flow Rate	1.2 GPM
Material	Chrome Plated Brass
Weight	5 lbs.

Model	Description
16-450L	Single Hole Deck Mount Faucet with 5-3/4" Wide Rigid Gooseneck Spout

Product Compliance

- NSF-61 & NSF/ANSI 372
- NSF/ANSI/CAN 61: Q < 1
- ASME A112.18.1-2012/CSA B125.1-12
- Meets ANSI A117.1 (ADA)
- Massachusetts Approved



Warning:

Plumbing connections should be made by qualified personnel who will observe all applicable plumbing, sanitary and safety codes

California Prop 65 Warning:

This product can expose you to chemicals including lead and lead compounds, which are known to the State of California to cause cancer and birth defects or other reproductive harm. For more information go to www.cdph.ca.gov/Programs/CID/DCDC/Pages/Default.aspx