

Single Hole Wall Mount Self-Closing Faucet

ROYAL SERIES



Standard Features

- Single hole, single temp
- Self-closing twist valve
- Cross handle with color coded index

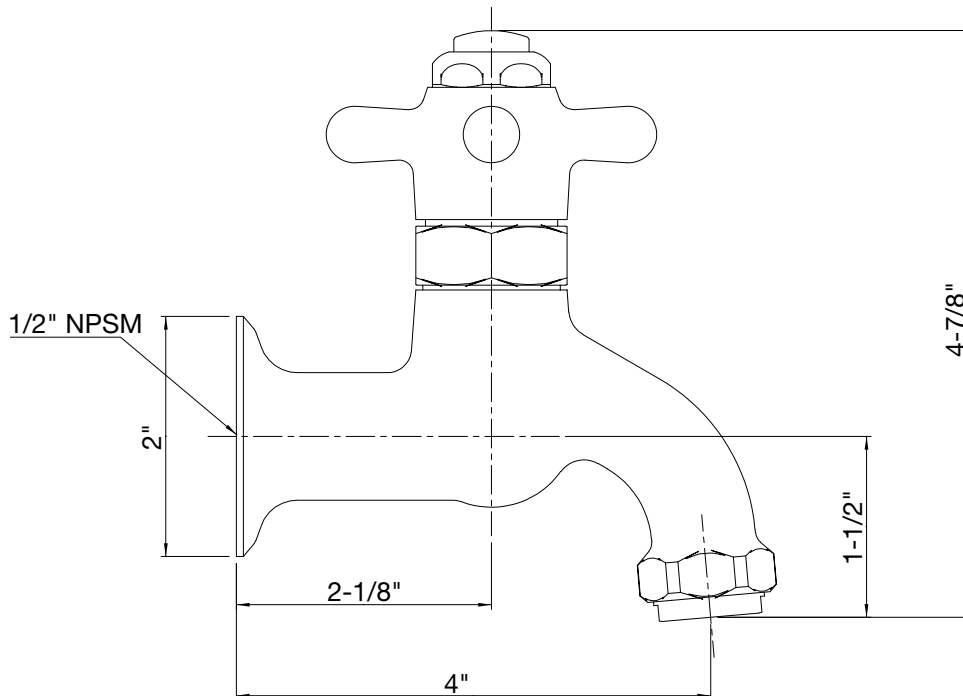
Specifications

Water Inlet	1/2" NPS Male
Temp. Range	40°F - 180°F
Rough In	7/8" Round Hole
Flow Rate	1.8 GPM
Material	Chrome Plated Brass
Weight	2 lbs.

Model	Description
16-470L	Single Hole Wall Mount Self-Closing Faucet

Product Compliance

- NSF-61 & NSF/ANSI 372
- NSF/ANSI/CAN 61: Q < 1
- ASME A112.18.1-2011/CSA B125.1-11 & NSF/ANSI 372
- Massachusetts Approved



Warning:

Plumbing connections should be made by qualified personnel who will observe all applicable plumbing, sanitary and safety codes

California Prop 65 Warning:

This product can expose you to chemicals including lead and lead compounds, which are known to the State of California to cause cancer and birth defects or other reproductive harm. For more information go to www.cdph.ca.gov