

Electronic Sensor Faucet Single Hole Deck Mount

ROYAL SERIES



16-649



16-649P



16-649P8



16-650



16-650P



16-650P8

Standard Features

- Infrared Sensor Operated
- Battery Powered Control Module, (4) AA Batteries Included, AC Adapter Optional
- Built-In Filter to Prevent Debris from Entering Solenoid Valve
- Low Battery Indicator Light
- Battery Life 1-3 Years Based on Usage
- Optional plate covers, 4" (16-189) or 8" (16-186)

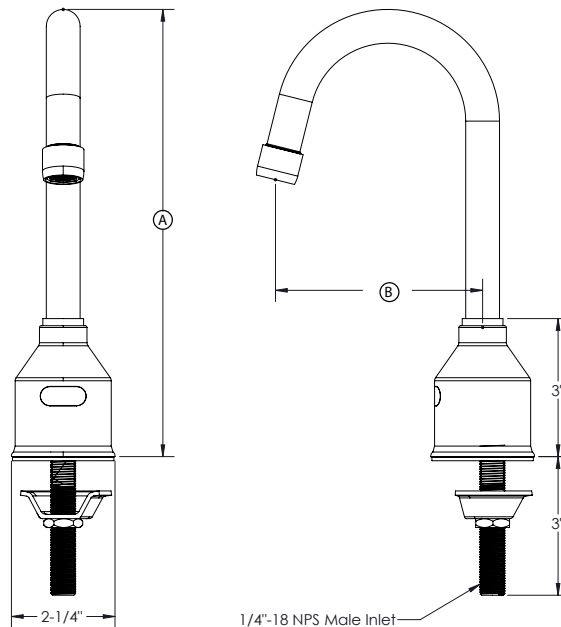
Specifications

Water Inlet	1/4" NPS Male
Temp. Range	40°F - 180°F
Rough In	7/8" Round Hole
Flow Rate	1.5 GPM
Material	Chrome Plated Brass

Model	Height (A)	Spout Length (B)	Deck Mount Plate (Centers)	Weight
16-649	10"	4-1/2"	-	8 lbs.
16-649P	10"	4-1/2"	4"	8.25 lbs.
16-649P8	10"	4-1/2"	8"	8.25 lbs.
16-650	11-1/4"	6"	-	8.25 lbs.
16-650P	11-1/4"	6"	4"	8.5 lbs.
16-650P8	11-1/4"	6"	8"	8.5 lbs.

Product Compliance

- NSF/ANSI/CAN 61 Q<1
- NSF/ANSI 372
- ASME A112.18.1/CSA B125.1
- UL1951, CAN/CSA C22.2 No. 68, CAN/CSA C22.2 No. 14
- Meets ANSI A117.1 (ADA)
- CEC Listed
- Massachusetts Listed



Warning:

Plumbing connections should be made by qualified personnel who will observe all applicable plumbing, sanitary and safety codes

California Prop 65 Warning:

This product can expose you to chemicals including lead and lead compounds, which are known to the State of California to cause cancer and birth defects or other reproductive harm. For more information go to www.

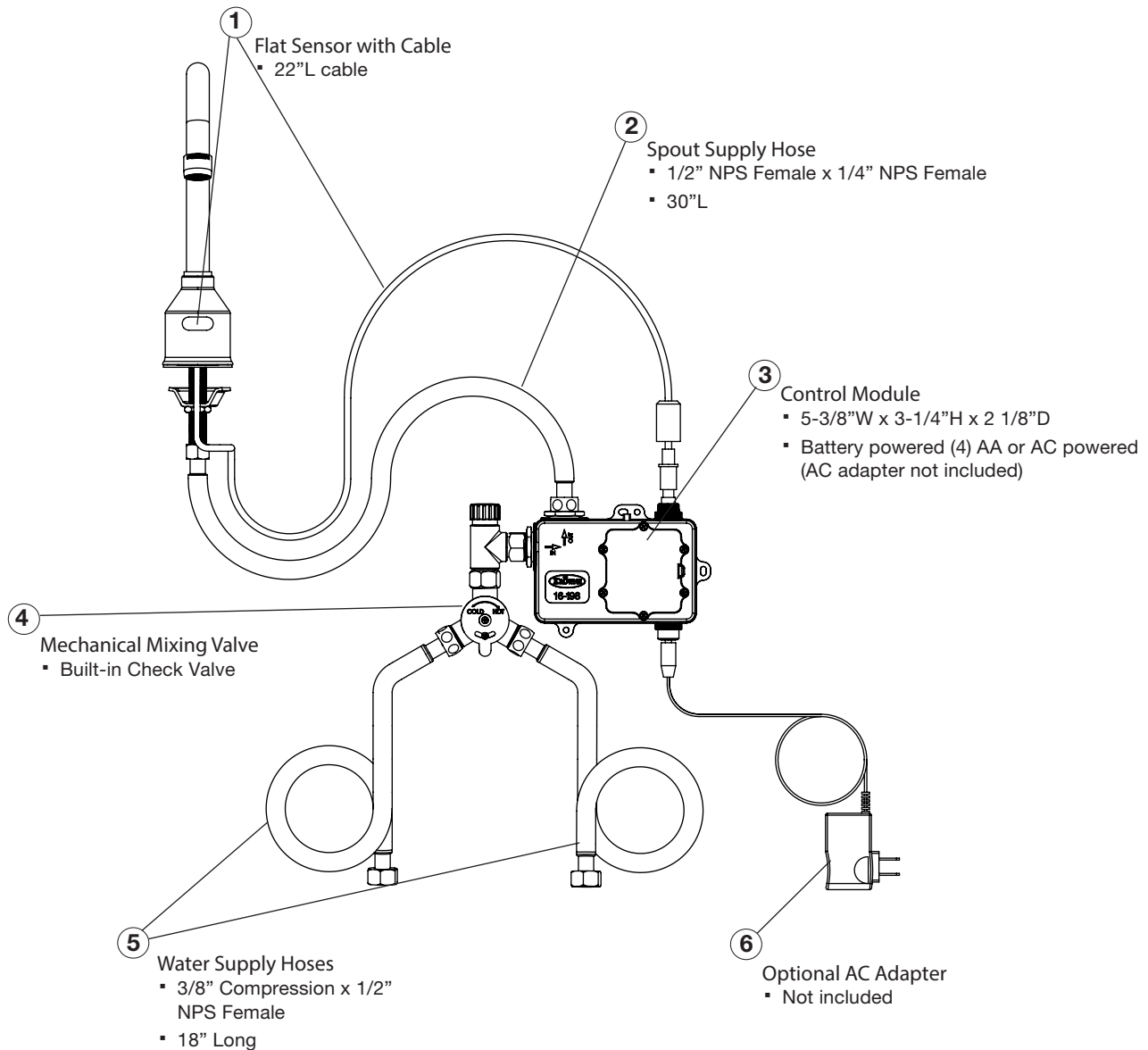
Electronic Sensor Faucet Single Hole Deck Mount

ROYAL SERIES

Flow Control	Setting		
Shut-Off	1s	10s	15s
Auto Flush	ON	OFF	

Default Flow Control Setting Highlighted in

No.	Replacement Parts	Model
1	Convex Sensor with Cable	16-506
2	Spout Supply Hose	16-511
3	Control Module	16-198
4	Mechanical Mixing Valve	16-402L
5	Water Supply Hoses	16-510



Warning:

Plumbing connections should be made by qualified personnel who will observe all applicable plumbing, sanitary and safety codes

California Prop 65 Warning:

This product can expose you to chemicals including lead and lead compounds, which are known to the State of California to cause cancer and birth defects or other reproductive harm. For more information go to www.cdph.ca.gov/Programs/CID/DCDC/Pages/Default.aspx