

Electronic Sensor Faucet

DIAMOND SERIES



Standard Features

- Infrared Sensor Operated
- Battery Powered Control Module, (4) AA Batteries Included, AC Adapter Optional
- Built-In Filter to Prevent Debris from Entering Solenoid Valve
- Low Battery Indicator Light
- Battery Life 1-3 Years Based on Usage

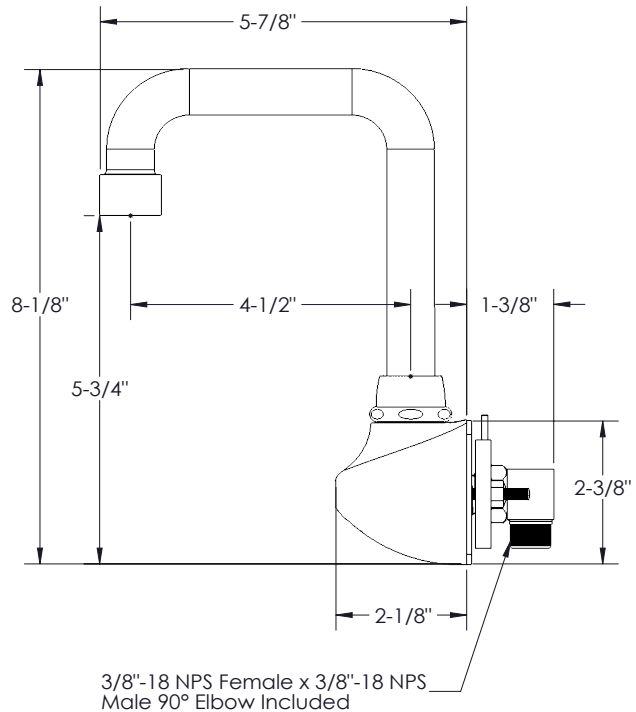
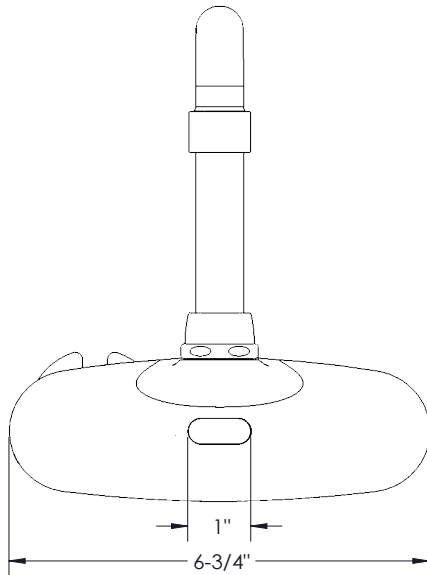
Specifications

Water Inlet	3/8" NPS Male
Temp. Range	40°F - 180°F
Rough In	7/8" Round Holes
Flow Rate	2.2 GPM
Material	Nickle Plated Brass
Weight	7 lbs.

Model	Description
16-670	Diamond Series 4" Center Wall Mount Sensor Faucet, Battery Operated, Mechanical Mixing Valve, 4-1/2" Double Bend, 2.20 GPM Aerator

Product Compliance

- NSF/ANSI/CAN 61 Q<1
- ASME A112.18.1-2018/CSA B125.1-18
- NSF/ANSI/CAN 372-2022
- NSF/ANSI/CAN 61
- UL1951, CAN/CSA C22.2 No. 68, CAN/CSA C22.2 No. 14
- CEC Listed
- Massachusetts Approved



Warning:

Plumbing connections should be made by qualified personnel who will observe all applicable plumbing, sanitary and safety codes

California Prop 65 Warning:

This product can expose you to chemicals including lead and lead compounds, which are known to the State of California to cause cancer and birth defects or other reproductive harm. For more information go to www.cdph.ca.gov

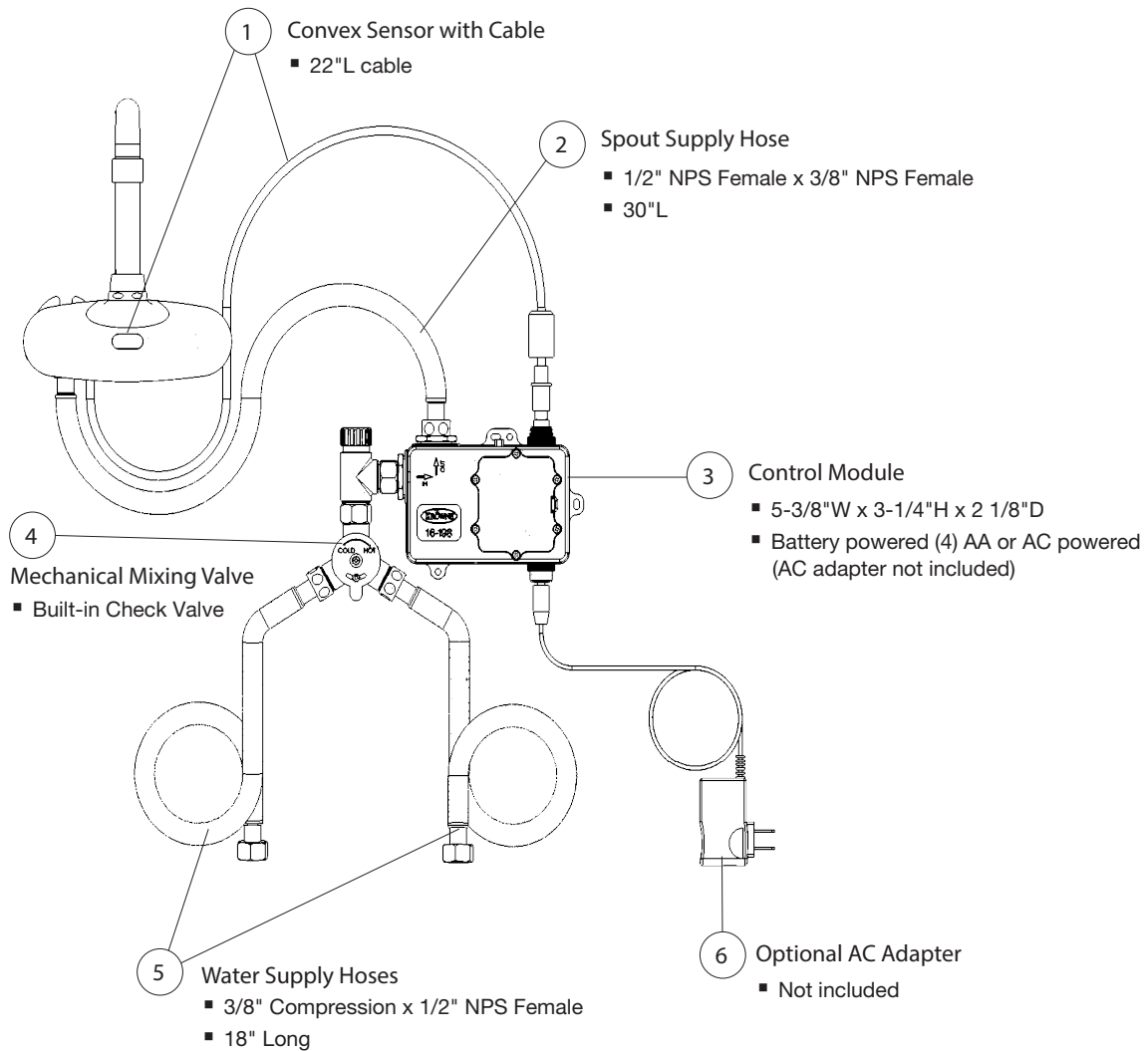
Electronic Sensor Faucet

DIAMOND SERIES

Flow Control	Setting								
Shut-Off Delay	1s	10s			15s				
Auto Flush	ON				OFF				
Auto Time Out	15s	20s	25s	30s	45s	1m	2m	10m	

Default Flow Control Setting Highlighted in Gray

No.	Replacement Parts	Model
1	Flat Sensor with Cable	16-505
2	Spout Supply Hose	16-512
3	Control Module	16-198
4	Mechanical Mixing Valve	16-402L
5	Water Supply Hoses	16-510
6	Optional AC Adapter	16-199



Warning:

Plumbing connections should be made by qualified personnel who will observe all applicable plumbing, sanitary and safety codes

California Prop 65 Warning:

This product can expose you to chemicals including lead and lead compounds, which are known to the State of California to cause cancer and birth defects or other reproductive harm. For more information go to www.cdph.ca.gov/Programs/CID/DCDC/Pages/Default.aspx