



Wall Mount Pre-Rinse Installation Manual

17-108WL, 17-109WL

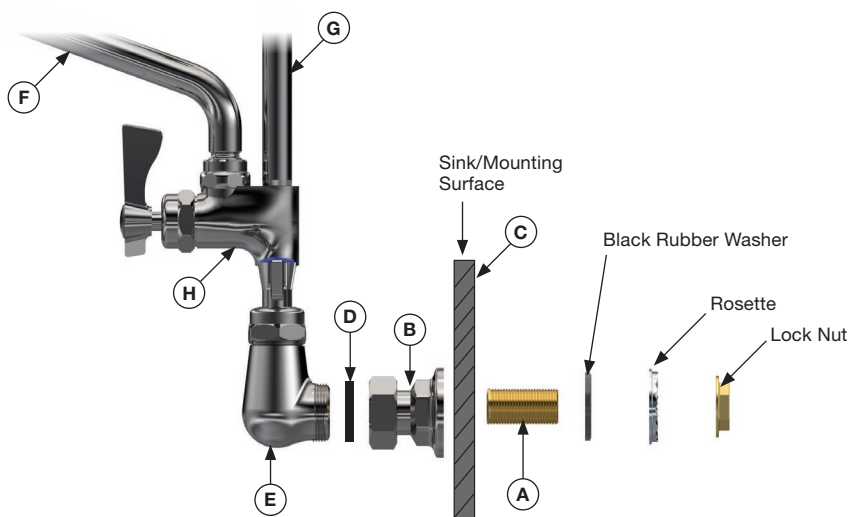


ROYAL
SERIES

WARNING: Plumbing connections should be made by qualified personnel who will observe all applicable plumbing, sanitary and safety codes.

Note: For easy installation, we highly recommend using our E-Z Install Flexible Water Lines (Model 21-443L). They include 1/2" NPT close elbows with swivel compression fittings on the faucet side and 3/8" compression fittings on the water supply side. No thread sealant tape or soldering required.

Figure 1



Installation Instructions

1. Turn off water supply at main source before proceeding with installation.
2. Remove the two 1/2" threaded nipples (A) from the wall mount kit inside the box.
3. Apply thread sealant tape or pipe joint compound to one side of each of the two threaded nipples (you will apply to the other side after step #4 is completed).
4. Install the threaded nipples with the sealant into the two 1/2" female threaded coupling flanges (B) and tighten properly. It is important to know that the coupling flanges have eccentric centers. This means that if the holes for the threaded nipples are not exactly 8" on center, it allows you to adjust the center distance.
5. From the front of the sink, insert the threaded nipples into the faucet holes in the wall (C). Make sure the coupling flanges are turned so the brass nipples are at the 12 o'clock position. This is necessary to make sure the faucet is level.
6. Apply thread sealant tape or pipe joint compound to the other side of each of the two threaded nipples.

7. From the back of the sink, place the black rubber washer, rosette, and lock nut onto the threaded nipples and tighten with a wrench.
8. From the front of the sink, insert the rubber washers **(D)** into the coupling flanges **(B)**.
9. Install the faucet body **(E)** onto the coupling flanges and tighten properly with a wrench. If the faucet does not fit on the coupling flanges, they will need to be rotated to fit the faucet as per step 4 above.
10. From the back of the sink install the water supply lines and tighten properly.
11. To assemble the pre-rinse with the add-on faucet, remove the riser pipe **(G)** and add-on faucet assembly **(H)** from the box. Thread onto the faucet body and tighten.
12. Determine the correct length of the support rod **(I)** from the wall to the riser pipe **(G)**. Cut the support rod to size **(Figure 2)**.
13. Determine the position on the wall for the wall bracket brace **(J)**, making sure it is near the top of the riser pipe **(G)**.
14. Install the wall bracket brace on the wall with the included screws. Press the end of the support rod into the bracket. Use allen wrench to tighten set screw in place.
15. Install the head of the support rod **(K)** around the riser with the two supplied screws.
16. The pre-rinse spray head **(L)**, hose **(M)**, and spring **(N)** have been assembled at the factory to save time.
17. Install the complete assembly onto the top of the riser pipe, making sure you use the small black washer supplied in the cardboard cylinder in the packaging. Tighten appropriately.
18. Loosen the spray head hook **(O)** and center it on the riser pipe. Tighten when it is in place.
19. Install faucet spout **(F)** onto add-on faucet body **(H)** **(Figure 1)**.

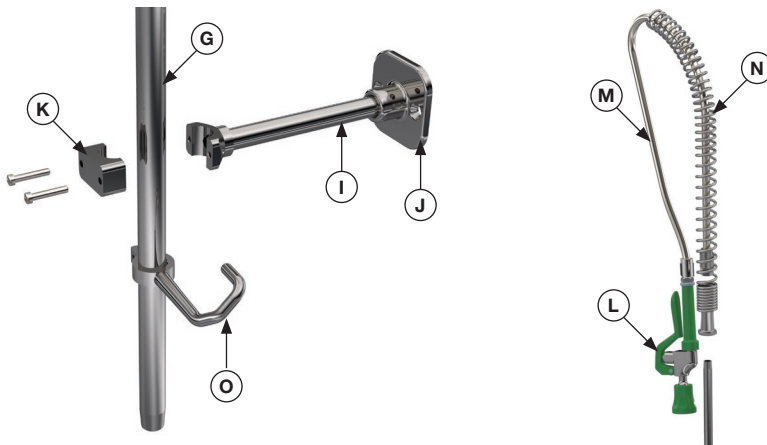
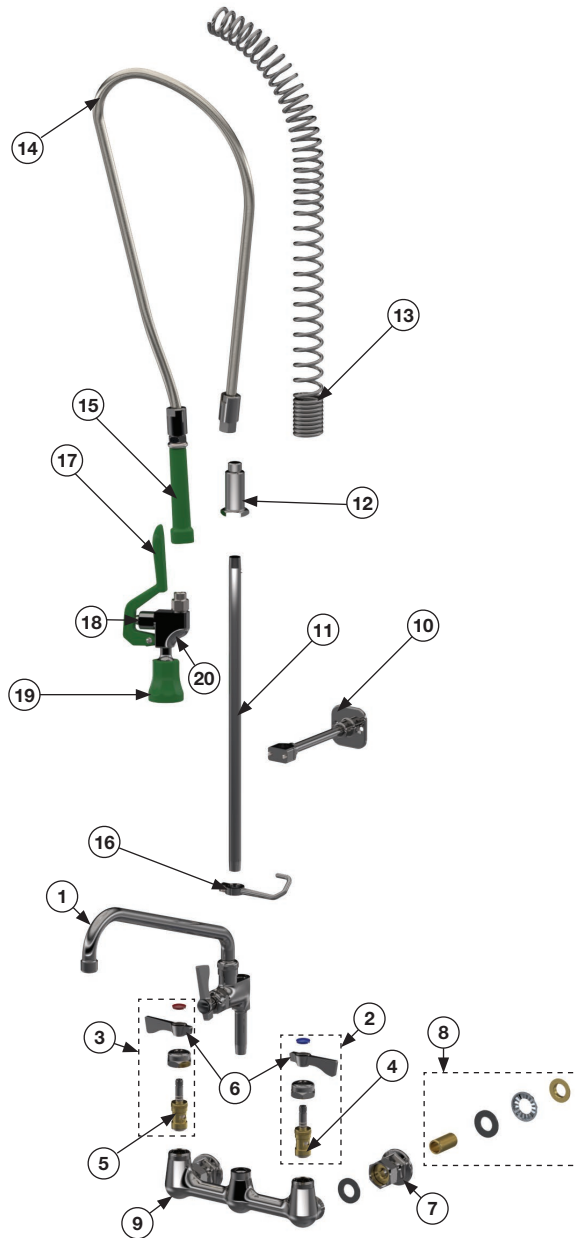


Figure 2



Scan to view
aerator options.

Parts Guide

No.	Model	Description
1	21-138L	Add-On Faucet with 6" Spout
1	21-149L	Add-On Faucet with 8" Spout
1	21-139L	Add-On Faucet with 12" Spout
1	21-140L	Add-On Faucet with 14" Spout
1	21-141L	Add-On Faucet with 16" Spout
2	21-308L	Cold 1/4 Turn Ceramic Cartridge Valve
3	21-309L	Hot 1/4 Turn Ceramic Cartridge Valve
4	21-333L	Cold 1/4 Turn Ceramic Cartridge Valve, Less Handle
5	21-334L	Hot 1/4 Turn Ceramic Cartridge Valve, Less Handle
6	21-306	Lever Handle Kit (includes hot & cold handles with color indicators)
7	21-401L	Coupling Flanges (includes 2/ea)
8	21-194L	Wall Mounting Kit (includes 2/ea: nipples, lock nut, rosette, washer)
9	21-108L	8" Center Wall Mount Pre-Rinse Base
10	21-137	Wall Bracket
11	21-168	Riser (12" Long, 3/8" male thread)
11	21-160L	Riser (18" Long, 3/8" male thread)
11	21-160-24L	Riser (24" Long, 3/8" male thread)
12	21-161L	Spring Retainer
13	21-162	24" Spring
14	21-133L	44" Pre-Rinse Hose with Grip
14	21-134L	60" Pre-Rinse Hose with Grip
14	21-135L	72" Pre-Rinse Hose with Grip
14	21-136L	96" Pre-Rinse Hose with Grip
15	21-164L	Grip (1/2" NPS Male)
16	21-165	Hook/Screw Assembly
17	21-171	Spray Head Handle
18	21-302L	Button Valve
19	21-179L	Spray Head Repair Kit - New Style (2007 to present)
20	21-129L	1.15 GPM Spray Head



21-129L



21-130L



21-131L



21-132L



21-547L



21-170



21-311



21-443L



25-150

Options and Accessories

Model	Description
21-127L	0.65 GPM Spray Head
21-130L	Shower Pattern Spray Head
21-131L	Angled Pre-Rinse Spray Head
21-132L	Pot Filler Spray Head
21-170	Ring (Optional)
21-311	Wrist Blade Handle Kit (includes hot and cold handles)
21-443L	E-Z Install Flexible Water Line Kit
21-547L	Swivel Pre-Rinse Hose Connector
25-150	Thread Sealant Tape

Warranty



Please visit krowne.com/warranty for full terms and conditions regarding the warranty on your new Royal Series product.

Product Description	Warranty Period
Royal Series Plumbing	3 Year

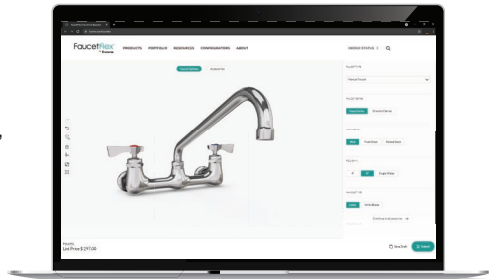
This Standard Warranty and Limitation of Liability (the "Warranty") sets forth the warranty provided by Krowne Metal Corporation (hereinafter "Krowne") with respect to the product purchased by Purchaser (the "Equipment"). By accepting delivery of the Equipment, Purchaser agrees to be bound by and accept these terms and conditions. All defined terms within the Warranty shall have the same meaning and definition as provided elsewhere in the Warranty. Equipment covered by the Warranty shall only be warranted in connection with its original installation only. Krowne will only be obligated to honor the warranty set forth in these terms and conditions upon receipt of full payment for the equipment.

FaucetFlex®
BY KROWNE



- Effortlessly configure a faucet, pre-rinse and much more
- Instant spec sheet generation
- Instant price generation

krowne.com/faucetflex



100 Haul Rd. • Wayne, NJ 07470
krowne.com