

4" Center Wall Mount Pre-Rinse

ROYAL SERIES



Model	Description
17-124WL	4" Center Wall Mount Pre-Rinse

Product Compliance

- NSF-61 & NSF/ANSI 372
- NSF/ANSI/CAN 61: Q < 1
- ASME A112.18.1-2012/CSA B125.1-12 & NSF/ANSI 372
- Massachusetts Listed

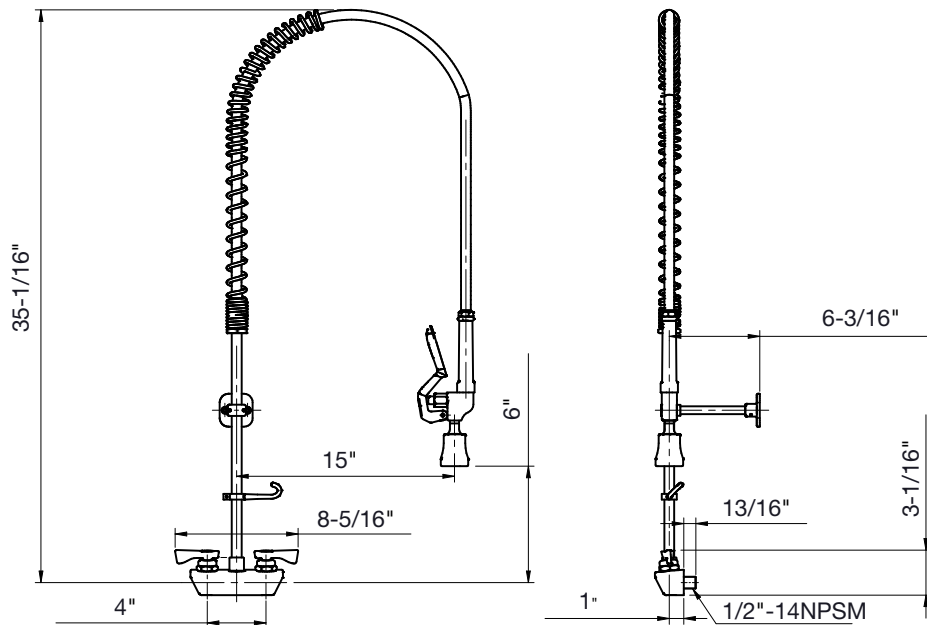


Standard Features

- 1/4 turn stainless steel high performance ceramic cartridge valves with built-in check valves
- Lever Handles
- Includes wall bracket with screws
- Mounting kit includes (2) brass locknuts and (2) brass washers
- Full replacement parts available

Specifications

Water Inlet	1/2" NPS Male
Temp. Range	40° - 180°F
Mounting Style	Wall Mount
Rough In	Two 7/8" Round Holes
Spray Head Flow Rate	1.15 GPM @ 60 PSI
Material	Solid Brass
Finish	Polished Chrome
Weight	15 lbs



Warning:

Plumbing connections should be made by qualified personnel who will observe all applicable plumbing, sanitary and safety codes

California Prop 65 Warning:

This product can expose you to chemicals including lead and lead compounds, which are known to the State of California to cause cancer and birth defects or other reproductive harm. For more information go to www.P65Warnings.ca.gov.