



Single Hole Deck Mount Pre-Rinse Installation Manual

17-206WL



ROYAL
SERIES

WARNING: Plumbing connections should be made by qualified personnel who will observe all applicable plumbing, sanitary and safety codes.

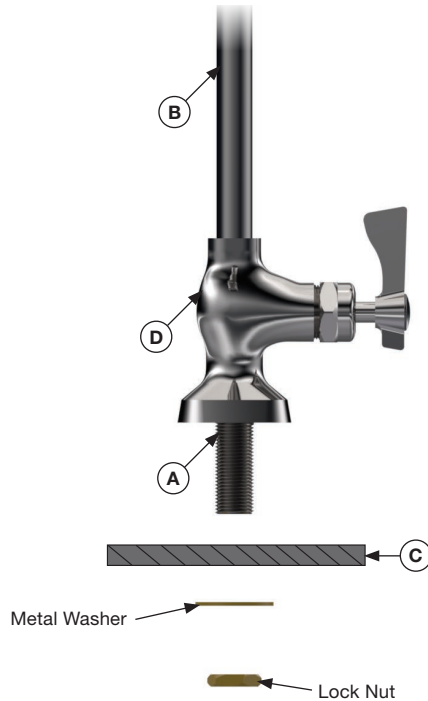


Figure 1

Installation Instructions

1. Turn off water supply at main source before proceeding with installation.
2. Apply thread sealant tape or pipe joint compound to the threaded nipple (A).
3. From the top of the sink, insert the threaded nipple into the faucet hole on the sink (C).
4. From the bottom of the sink, place the included metal washer and locknut onto the threaded nipple and tighten with a wrench.
5. From the bottom of the sink, install the water supply line and tighten properly.
6. To assemble the pre-rinse, remove the riser pipe (B). Thread onto the faucet body (D) and tighten.

7. Determine the correct length of the support rod (**E**) from the wall to the riser pipe (**B**). Cut the support rod to size (**Figure 2**).
8. Determine the position on the wall for the wall bracket brace (**F**), making sure it is near the top of the riser pipe (**B**).
9. Install the wall bracket brace (**F**) on the wall with the included screws. Press the end of the support rod (**E**) into the bracket. Tighten set screw to secure it in place.
10. Install the head of the support rod (**G**) around the riser pipe with the two supplied screws.
11. The pre-rinse spray head (**H**), hose (**I**), and spring (**J**) have been assembled at the factory.
12. Install the complete assembly onto the top of the riser pipe (**B**), making sure you use the small black washer supplied in the cardboard cylinder in the packaging. Tighten appropriately.
13. Loosen the spray head hook (**K**) and center it on the riser pipe. Tighten when it is in place.

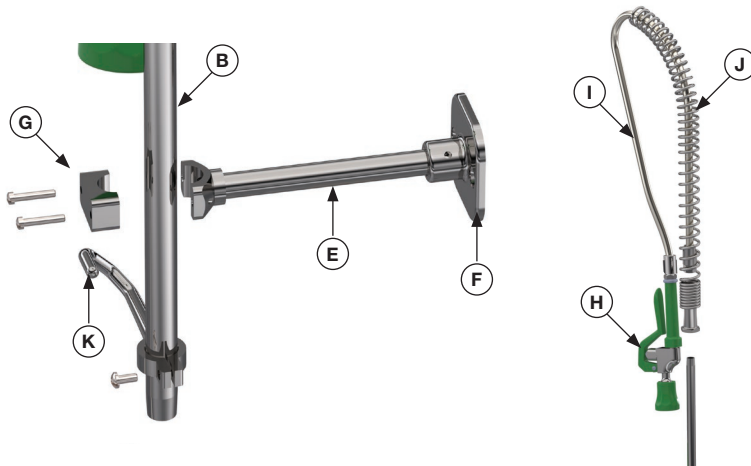
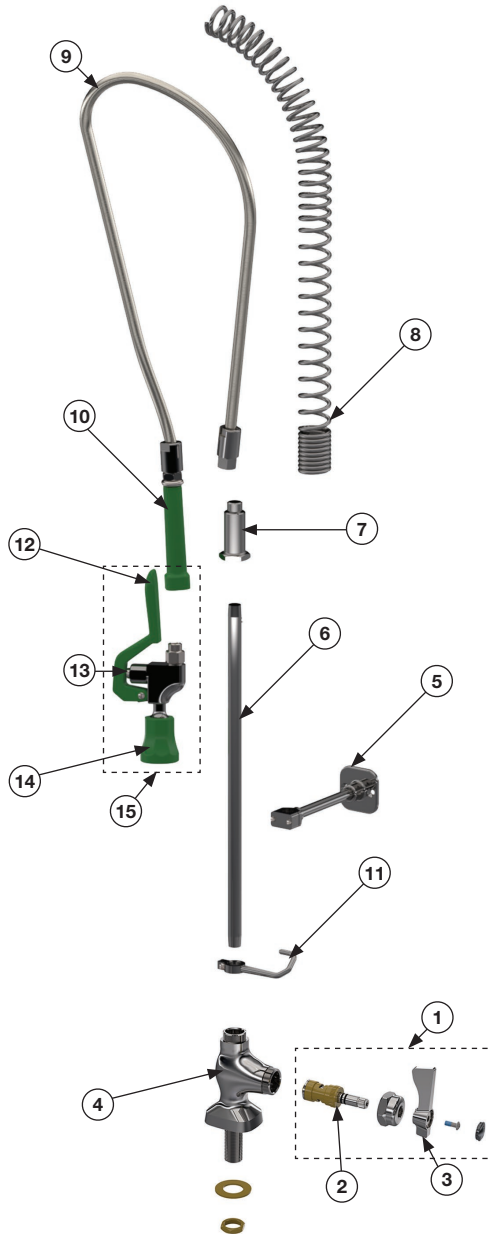


Figure 2



Parts Guide

No.	Model	Description
1	21-308L	Cold 1/4 Turn Ceramic Cartridge Valve
1	21-309L	Hot 1/4 Turn Ceramic Cartridge Valve
2	21-333L	Cold 1/4 Turn Ceramic Cartridge Valve, Less Handle
2	21-334L	Hot 1/4 Turn Ceramic Cartridge Valve, Less Handle
3	21-306	Lever Handle Kit (includes hot & cold handles with color indicators)
4	21-202L	Single Hole Deck Base
5	21-137	Wall Bracket
6	21-168	Riser (12" Long, 3/8" male thread) (Shown)
6	21-160L	Riser (18" Long, 3/8" male thread)
6	21-160-24L	Riser (24" Long, 3/8" male thread)
7	21-161L	Spring Retainer
8	21-162	24" Spring
9	21-133L	44" Pre-Rinse Hose with Grip
9	21-134L	60" Pre-Rinse Hose with Grip
9	21-135L	72" Pre-Rinse Hose with Grip
9	21-136L	96" Pre-Rinse Hose with Grip
10	21-164L	Grip (1/2" NPS Male)
11	21-165	Hook/Screw Assembly
12	21-171	Spray Head Handle
13	21-302L	Button Valve
14	21-179L	Spray Head Repair Kit - New Style (2007 to present)
15	21-129L	1.15 GPM Spray Head



21-127L



21-130L



21-131L



21-132L



21-170



21-311



21-198L



21-547L



25-150

Options and Accessories

Model	Description
21-127L	0.65 GPM Spray Head
21-130L	Shower Pattern Spray Head
21-131L	Angled Pre-Rinse Spray Head
21-132L	Pot Filler Spray Head
21-170	Ring
21-311	Wrist Blade Handle Kit (includes hot and cold handles)
21-198L	1/2" x 3/8" Braided Supply Hoses
21-547L	Swivel Pre-Rinse Hose Connector
25-150	Thread Sealant Tape

Warranty



Please visit krowne.com/warranty for full terms and conditions regarding the warranty on your new Royal Series product.

Product Description	Warranty Period
Royal Series Plumbing	3 Year

This Standard Warranty and Limitation of Liability (the "Warranty") sets forth the warranty provided by Krowne Metal Corporation (hereinafter "Krowne") with respect to the product purchased by Purchaser (the "Equipment"). By accepting delivery of the Equipment, Purchaser agrees to be bound by and accept these terms and conditions. All defined terms within the Warranty shall have the same meaning and definition as provided elsewhere in the Warranty. Equipment covered by the Warranty shall only be warranted in connection with its original installation only. Krowne will only be obligated to honor the warranty set forth in these terms and conditions upon receipt of full payment for the equipment.

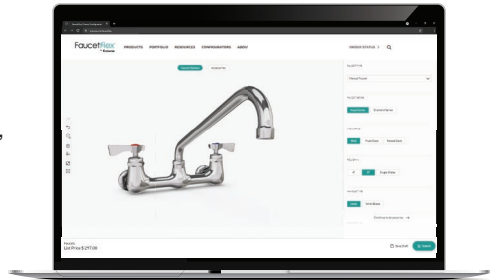
FaucetFlex[®]

BY KROWNE



- Effortlessly configure a faucet, pre-rinse and much more
- Instant spec sheet generation
- Instant price generation

krowne.com/faucetflex



KROWNE[®]

100 Haul Rd. • Wayne, NJ 07470
krowne.com

 **WARNING:** This product can expose you to chemicals including lead and lead compounds, which are known to the State of California to cause cancer and birth defects or other reproductive harm. For more information go to www.P65Warnings.ca.gov