

## Single Hole Deck Mount Space Saver Pre-Rinse

Royal Series Plumbing



### Standard Features

- Shorter pre-rinse for space saving applications
- Add-on faucet with 6" spout
- ¼ turn high performance ceramic cartridge valves with integral check
- Heavy duty flanges with eccentric fittings allow for alignment adjustments during installation
- Durable full range swing spout with double O-ring construction
- Wall bracket and mounting kit included
- Knife style spray valve powers through tough grime
- Stainless steel corrugated hose with radial wrap tubing pressure tested to 400 PSI
- E-Z install swivel fitting allows for quick install and versatility during use
- Pre-assembled to cut installation time

Model	Description
18-506L	Single Hole Deck Mount Space Saver Pre-Rinse with Add-On Faucet (6" Spout)

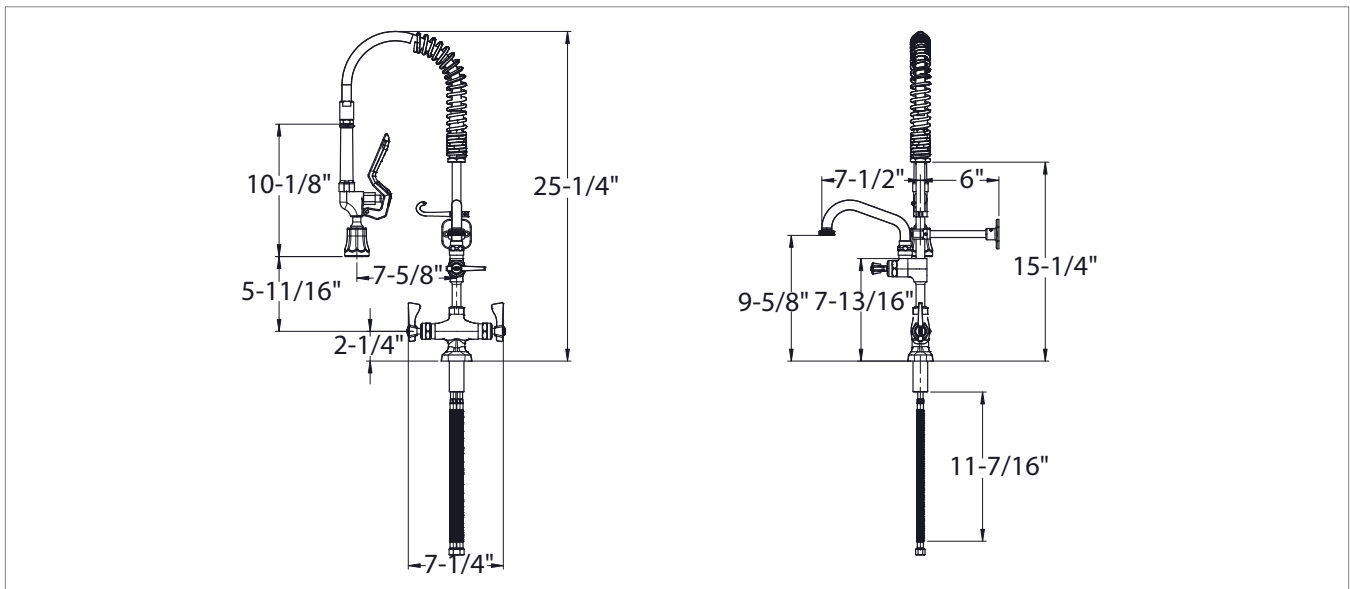
### Product Compliance

- NSF-61 & NSF/ANSI 372
- NSF/ANSI/CAN 61: Q < 1
- ASME A112.18.1-2012/CSA B125.1-12 & NSF/ANSI 372; Energy Verified
- Massachusetts Listed
- CEC Listed



### Specifications

Water Inlet	1/2" NPT female
Temp. Range	20°F - 125°F
Rough In	Fits 1-1/4" hole
Water Pressure	20 -120 PSI
Flow Rate	1.15 GPM spray head
Riser	3/8" NPT x 8"
Add On Faucet	6" spout with 1.8 GPM aerator
Dimensions	25-1/4"H with 8" overhang
Material/Finish	Solid chrome plated brass
Weight	13 lbs.



#### WARNING:

Plumbing connections should be made by qualified personnel who will observe all applicable plumbing, sanitary and safety codes.

#### California Prop 65 Warning:

This product can expose you to chemicals including lead and lead compounds, which are known to the State of California to cause cancer and birth defects or other reproductive harm. For more information go to [www.P65Warnings.ca.gov](http://www.P65Warnings.ca.gov).