

ShelfMaster Pre-Rinse with Add-On Faucet

ROYAL SERIES



Standard Features

- Pre-assembled to cut installation time
- Stainless steel wall bracket, riser, and hose
- 1/4 turn ceramic cartridge valves
- Optional shower pattern brass nozzle included
- Mounting kit (21-194L) includes (2) locknuts, (2) rossette washers, (2) rubber o-rings and (2) shanks

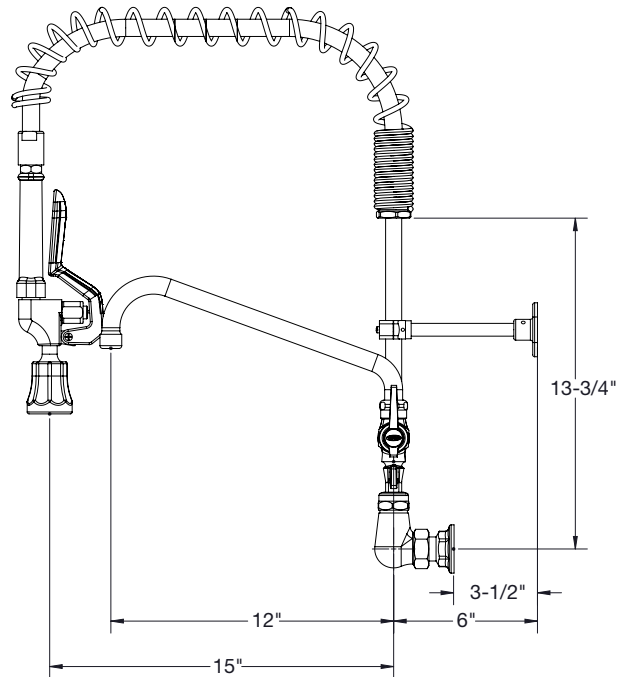
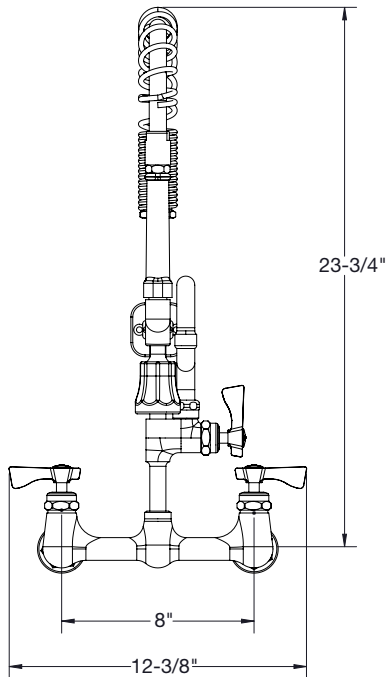
Specifications

Water Inlet	1/2" NPS Male; Kit Installed
Temp. Range	40°F - 180°F
Rough In	7/8" Round Hole 8" on Center
Flow Rate	1.15 GPM (Spray Head) 1.8 GPM (Faucet)
Material	Chrome Plated Brass
Weight	15 lbs.

Model	Description
18-725L	8" Center ShelfMaster Pre-Rinse Includes Add-On Faucet w/ 12" Spout

Product Compliance

- NSF-61 & NSF/ANSI 372
- NSF/ANSI/CAN 61: Q<1
- ASME A112.18.1-2012/CSA B125.1-12 & NSF/ANSI 372
- Massachusetts Listed



Warning:

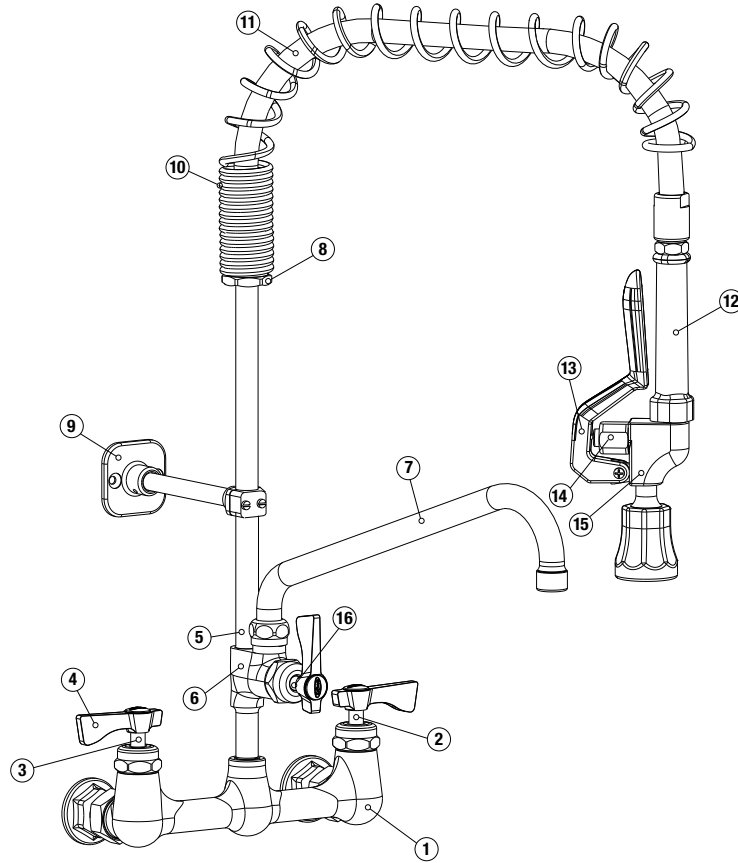
Plumbing connections should be made by qualified personnel who will observe all applicable plumbing, sanitary and safety codes

California Prop 65 Warning:

This product can expose you to chemicals including lead and lead compounds, which are known to the State of California to cause cancer and birth defects or other reproductive harm. For more information go to www.cdph.ca.gov/Programs/CID/DCDC/Pages/Prop65Resources.aspx

ShelfMaster Pre-Rinse with Add-On Faucet

ROYAL SERIES



Replacement Parts

No.	Model	Description
1	21-108L	Royal Series 8" Center Wall Mount Base for Pre Rinse
2	21-308L	Royal Series 1/4 Turn Cold Ceramic Cartridge Valve with Handle
3	21-309L	Royal Series 1/4 Turn Hot Ceramic Cartridge Valve with Handle
4	21-306	Royal Series Faucet Handle Kit (Hot & Cold handles)
5	21-160-8L 21-160-3L	8" Stainless Steel Riser Pipe (23-3/4" Height) 3" Stainless Steel Riser Pipe (16-3/4" Height)
6	21-139L	Add-On Faucet with 12" Spout
7	21-423L	Royal Series 12" Spout
8	21-663L	ShelfMaster Spring Retainer
9	21-662	ShelfMaster Stainless Steel Wall Bracket
10	21-670	ShelfMaster Stainless Steel Spring
11	21-181L	ShelfMaster Stainless Steel Hose with Grip
12	21-164L	Royal Series Grip
13	21-171	Royal Series Pre-Rinse Replacement Handle
14	21-302L	Royal Series Pre-Rinse Button Valve
15	21-129L	Royal Series Pre-Rinse Spray Head
16	21-308L	Royal Series 1/4 Turn Cold Ceramic Cartridge Valve with Handle (Fits Add-On Faucet)

Warning:

Plumbing connections should be made by qualified personnel who will observe all applicable plumbing, sanitary and safety codes

California Prop 65 Warning:

This product can expose you to chemicals including lead and lead compounds, which are known to the State of California to cause cancer and birth defects or other reproductive harm. For more information go to www.cdph.ca.gov/Programs/CID/DCDC/Pages/Lead%20and%20Lead%20Compounds.aspx