

## 3/4" Full Flow Wall Mount Faucets

## ROYAL SERIES



### Standard Features

- 1/4 turn high performance ceramic cartridge valves with built-in back flow preventers
- Heavy duty flanges with eccentric fittings for quick installation
- Durable full range swing spout with double o-ring construction
- Color-coded cross handles
- Full replacement parts available
- Mounting kit (21-187L); includes (2) elbows, (2) washers and (2) locknuts

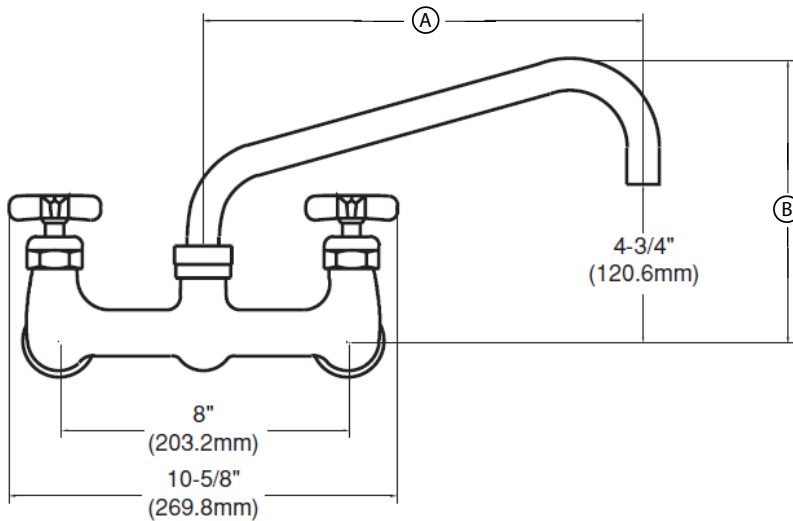
Model	Centers	Spout Length (A)	Spout Height (B)	Weight
18-812L	8"	12"	8-1/2"	6.5 lbs.
18-814L	8"	14"	10"	6.75 lbs.

### Specifications

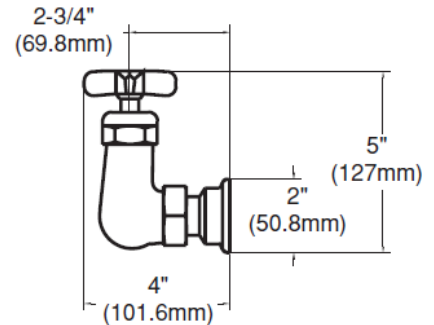
<b>Water Inlet</b>	3/4" NPT Female; Mounting Kit installed
<b>Temp. Range</b>	40°F - 180°F
<b>Rough In</b>	1-1/4" round holes on 8" Center
<b>Flow Rate</b>	40 GPM @ 60 PSI
<b>Material</b>	Chrome Plated Brass

### Product Compliance

- NSF-61 & NSF/ANSI 372
- NSF/ANSI/CAN 61: Q < 1
- ASME A112.18.1-2011/CSA B125.1-11
- Massachusetts Listed



Front View



Side View

#### Warning:

Plumbing connections should be made by qualified personnel who will observe all applicable plumbing, sanitary and safety codes

#### California Prop 65 Warning:

This product can expose you to chemicals including lead and lead compounds, which are known to the State of California to cause cancer and birth defects or other reproductive harm. For more information go to [www.cdph.ca.gov](http://www.cdph.ca.gov)