

# Single Lever Goose Neck Drinking Water Dispenser



19-430B



19-430C



19-430G



19-430S

Model	Description
19-430B	Single Lever Goose Neck Drinking Water Dispenser, Matte Black Finish
19-430C	Single Lever Goose Neck Drinking Water Dispenser, Chrome Finish
19-430G	Single Lever Goose Neck Drinking Water Dispenser, Brushed Gold Finish
19-430S	Single Lever Goose Neck Drinking Water Dispenser, Satin Finish

## Standard Features

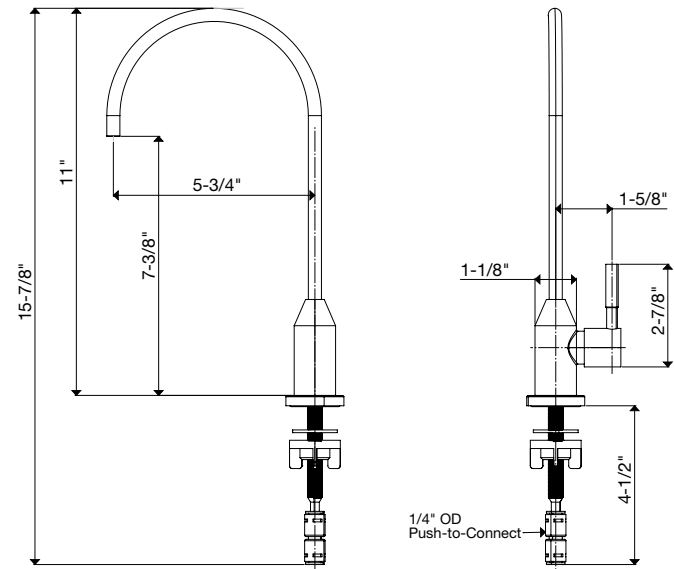
- Sleek single-lever design for effortless control
- Elegant gooseneck spout - perfect for filling bottles and pitchers
- Laminar tip for smooth dispensing
- Durable construction built for long-term daily use
- Pre-installed 1/4" quick disconnect adapter for fast tool-free hookup
- Available in a variety of finishes: chrome, satin, matte black, brushed gold

## Specifications

Rough In	7/16" Hole
Temp. Range	40°F - 200°F
Flow Rate	1.4 GPM @ 60 PSI
Inlet	1/4" OD Tubing
Mounting Style	Deck Mount
Centers	Single Hole
Material	304 stainless steel
Warranty	3 years
Weight	1 lbs.

## Product Certifications

- ASME A112.18.1-2024/CSA B125.1-24
- NSF/ANSI 61-2015
- NSF/ANSI 372-2024



### Warning:

Plumbing connections should be made by qualified personnel who will observe all applicable plumbing, sanitary and safety codes

### California Prop 65 Warning:

This product can expose you to chemicals including lead and lead compounds, which are known to the State of California to cause cancer and birth defects or other reproductive harm. For more information go to [www.P65Warnings.ca.gov](http://www.P65Warnings.ca.gov).