

In-Line Vacuum Breaker

ROYAL SERIES



Standard Features

- Prevents backflow and contamination by blocking reverse flow into potable water systems
- Compact and reliable design to work in tight spaces
- For hose thread faucets where pre-rinse or spray hoses are attached
- Standard with 3/8" NPSM (male) and NPSF (female) threaded connections

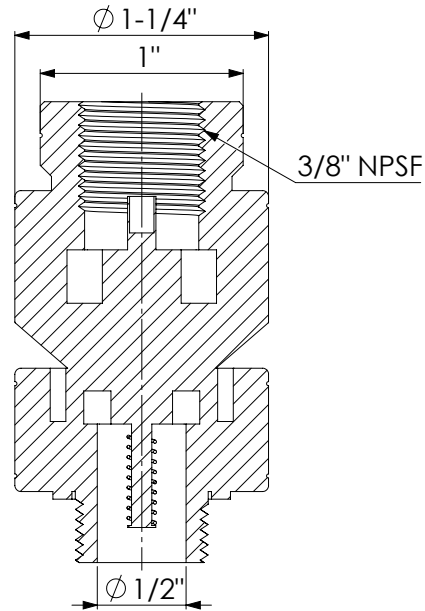
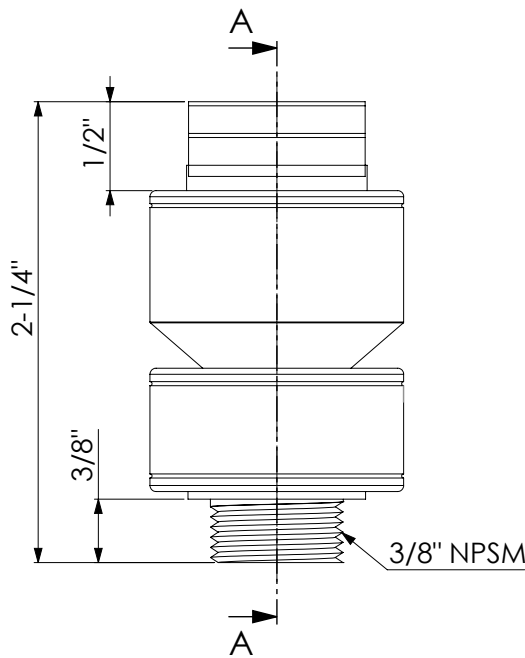
Specifications

Water Inlet	3/8"
Temp. Range	40°F - 180°F
Pressure	20 PSI - 125 PSI
Material	Chrome Plated Brass
Weight	1 lb.

Model	Description
21-109L	In-Line Vacuum Breaker

Product Compliance

- N/A



SECTION A-A
SCALE 2 : 1

Warning:

Plumbing connections should be made by qualified personnel who will observe all applicable plumbing, sanitary and safety codes

California Prop 65 Warning:

This product can expose you to chemicals including lead and lead compounds, which are known to the State of California to cause cancer and birth defects or other reproductive harm. For more information