

Angled Spray Head

Royal Series Plumbing



Model	Description
21-131L	Royal Series Angled Spray Head

Standard Features

- 3.18 GPM flow rate
- Rubber bumper
- Includes metal ring
- Interchangeable with most brands
- Great for pet grooming applications
- Reinforced spray head
- Full repair kits available

Specifications

Flow Rate	3.18 GPM
Temperature Range	40°F to 180°F
Dimensions	9-1/8"L x 2-3/4"W x 4-5/8"D
Material/Finish	Solid chrome plated brass
Weight	2 lbs.

Product Compliance

- NSF-61 & NSF/ANSI 372
- NSF/ANSI/CAN 61: Q < 1
- ASME A112.18.1-2012/CSA B125.1-12
- Massachusetts Listed



Replacement Parts



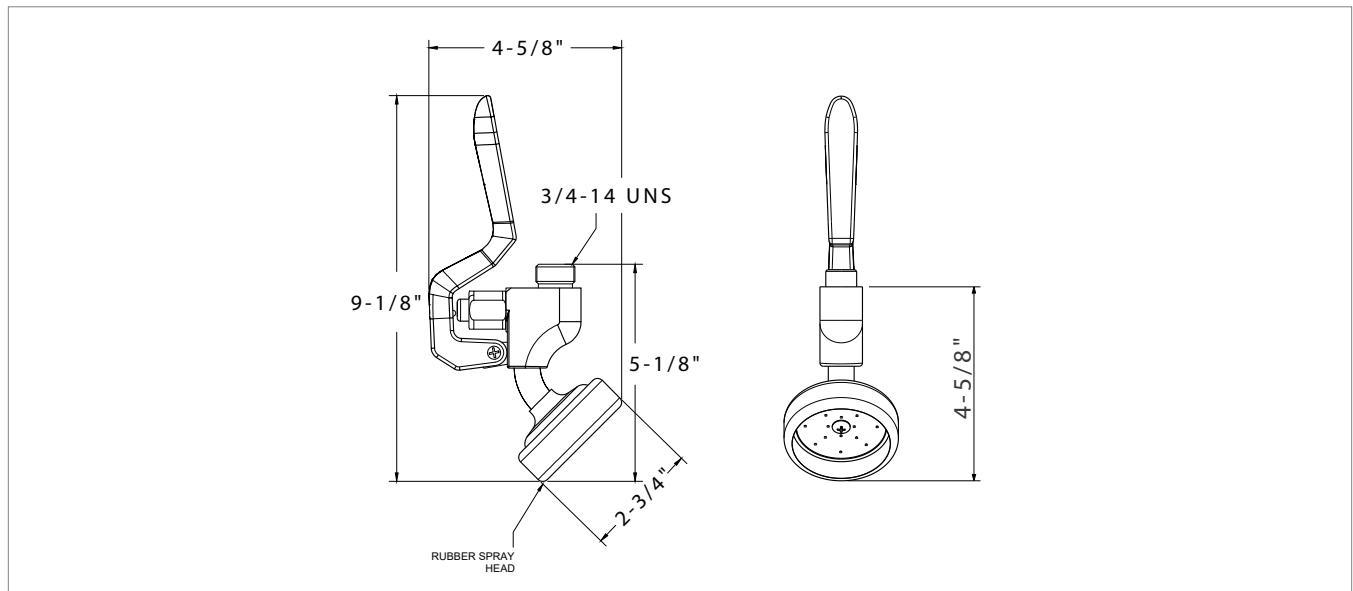
21-302L
Button Valve Repair Kit for
Spray Heads



21-142
Royal Series Bumper for
Shower Pattern



21-143
Royal Series 3.18 GPM
Spray Face



WARNING:

Plumbing connections should be made by qualified personnel who will observe all applicable plumbing, sanitary and safety codes.

California Prop 65 Warning:

This product can expose you to chemicals including lead and lead compounds, which are known to the State of California to cause cancer and birth defects or other reproductive harm. For more information go to www.P65Warnings.ca.gov.