

## Pot Filler Spray Head

ROYAL SERIES



### Standard Features

- Interchangeable with most brands
- Reinforced spray head
- Full repair kits available
- 3 year warranty

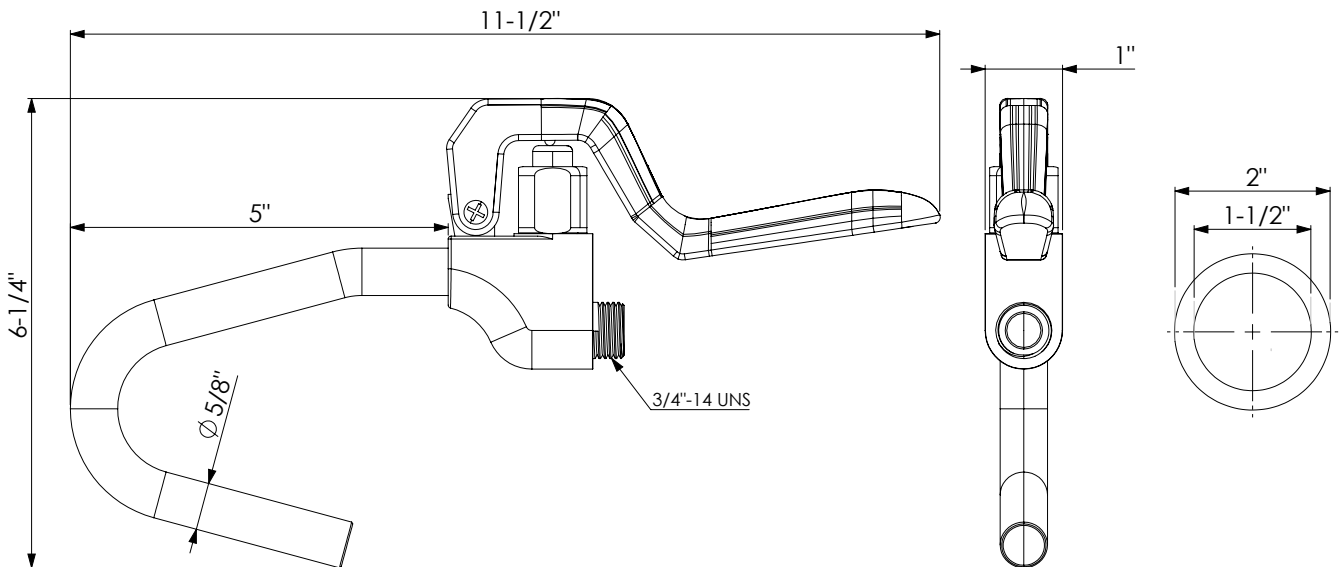
### Specifications

Water Inlet	1/2"
Temp. Range	40°F - 180°F
Flow Rate	1.15 GPM @ 60 PSI
Material	Chrome Plated Brass (Body) PVC (Handle)
Weight	1.5 lbs.

Model	Description
21-132L	Royal Series Pot Filler Spray Head

### Product Compliance

- NSF-61 & NSF/ANSI 372
- NSF/ANSI/CAN 61: Q<1
- ASME A112.18.1-2012/CSA B125.1-12 & NSF/ASNI 372
- Massachusetts Listed



#### Warning:

Plumbing connections should be made by qualified personnel who will observe all applicable plumbing, sanitary and safety codes

#### California Prop 65 Warning:

This product can expose you to chemicals including lead and lead compounds, which are known to the State of California to cause cancer and birth defects or other reproductive harm. For more information go to