

3-1/2" Stainless Steel Drain

Drain



Standard Features

- Stainless steel construction
- Fits 3-1/2" - 4" sink openings
- 4-1/2" flange
- Deep basket for added capacity
- 1-1/2" brass slip nut on drain outlet

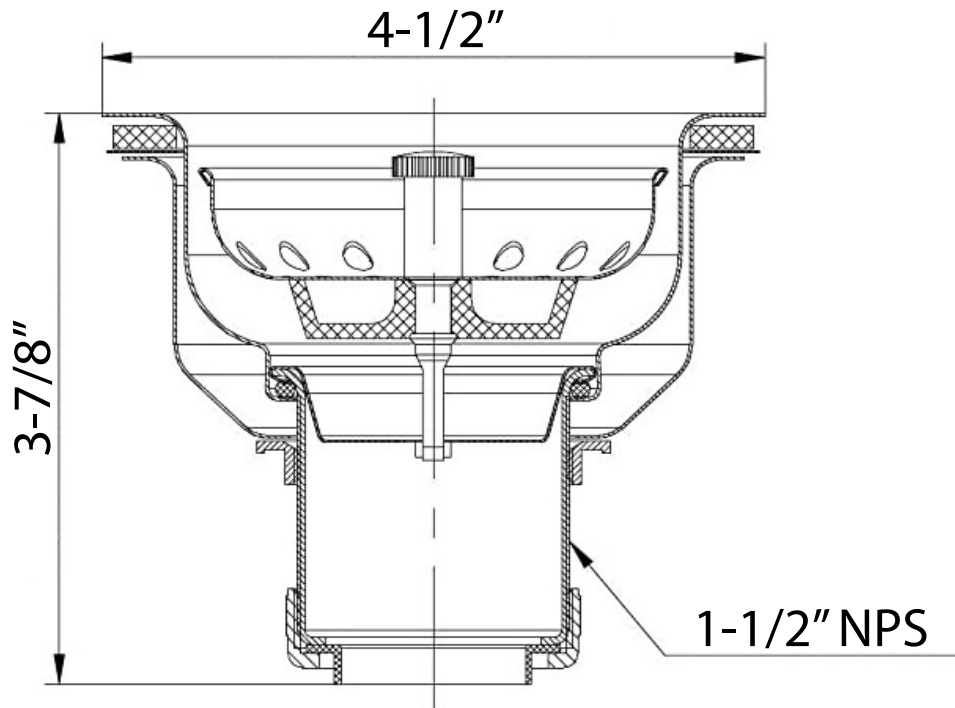
Specifications

Overall Size	4-1/2" x 3-7/8"
Material	Stainless Steel
Weight	1 lb.

Model	Description
23-130	Long Shank Stainless Steel Sink Strainer with 4-1/2" Flange

Product Compliance

- Massachusetts Approved
- ASME A112.18.2-2005/CSA B125.2-05



WARNING:

Plumbing connections should be made by qualified personnel who will observe all applicable plumbing, sanitary and safety codes.

California Prop 65 Warning:

This product can expose you to chemicals including lead and lead compounds, which are known to the State of California to cause cancer and birth defects or other reproductive harm. For more information go to www.P65Warnings.ca.gov.