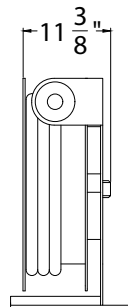
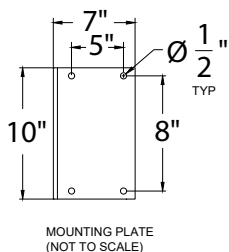
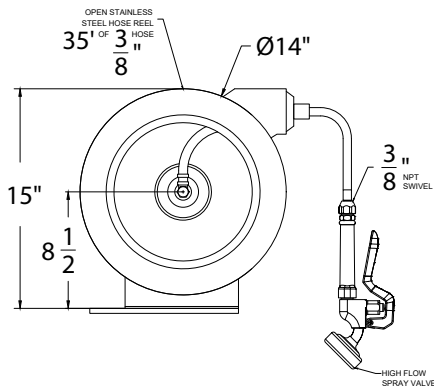
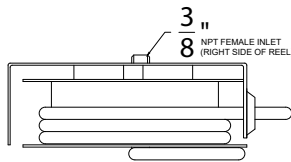


## Open Powder Coated Hose Reel with 35' Hose

Plumbing



Model	Description
24-603	Open Gray Powder Coated Hose Reel



### Standard Features

- Provides water quickly and conveniently to all kitchen areas
- Used for a variety of applications such as filling buckets without lifting them from the floor, rinsing down sinks, worktables and floors during cleanup, as well as filling steam tables
- Equipped with mounting bracket so that it can be mounted on the floor, wall, or ceiling
- Positive latching operation ensures hose will hold at desired length
- Heavy duty specially designed retrieval springs allow for easy hose recoil
- Includes high flow spray valve with non-marring high impact resistant bumper
- 3/8" NPT Female Inlet
- Max operating pressure: 250 PSI
- Max Temperature 180°F

### Replacement Parts & Accessories



**21-126**  
Angled Spray Head  
with Grip



**24-604**  
35' Hose for Open  
Hose Reels

### Specifications

Mounting Style	Wall, Floor, or Ceiling
Mounting Kit	Included
Finish	Gray Powder Coated
Max Operating Pressure	250 PSI
Max Operating Temperature	180°F
Reel Inlet Connection	3/8" NPT Female
Hose Length	35'
Weight (lb.)	35

#### WARNING:

Plumbing connections should be made by qualified personnel who will observe all applicable plumbing, sanitary and safety codes.

#### California Prop 65 Warning:

This product can expose you to chemicals including lead and lead compounds, which are known to the State of California to cause cancer and birth defects or other reproductive harm. For more information go to [www.P65Warnings.ca.gov](http://www.P65Warnings.ca.gov).