

Drop-In Ice Bins / Mobile Ice Bins

ROYAL SERIES

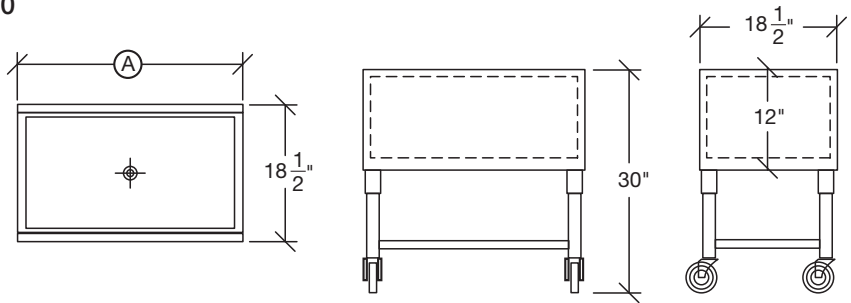


MB-1830

Standard Features

- Ice bin built on durable cross-braced legs with casters for mobility
- 20 gauge stainless steel interior, sides, and front apron
- 12" deep ice bin
- 1" IPS drain with shut-off valve
- Foamed-in-place polyurethane insulation
- Optional sliding cover available (MB-SC)

Model	Length (A)	Width	Ice Bin Depth	Weight
MB-1824	24"	18-1/2"	12"	65 lbs.
MB-1830	30"	18-1/2"	12"	80 lbs.
MB-1836	36"	18-1/2"	12"	95 lbs.



D2712



D278

Standard Features

- Drop-in design can be quickly installed into tabletops, counter tops, or behind the bar
- Includes two piece 20 gauge stainless steel sliding cover
- Fully insulated ice bin minimizes ice melt
- 10" deep liner (15" deep liner on D2712DP)

Model	Length	Width	Depth	Cutout Size	Cold Plate	Ice Capacity	Weight
D278	20"	15"	12-3/4"	18-1/4" x 13-1/4"	No Cold Plate	50	35 lbs.
D278-7	20"	15"	15-3/4"	18-1/4" x 13-1/4"	7-Circuit	50	60 lbs.
D2712	27"	20"	12-3/4"	25-1/4" x 18-1/4"	No Cold Plate	70	60 lbs.
D2712-7	27"	20"	15-3/4"	25-1/4" x 18-1/4"	7-Circuit	70	95 lbs.
D2712-10	27"	20"	15-3/4"	25-1/4" x 18-1/4"	10-Circuit	70	95 lbs.
D2712DP	27"	20"	16-3/4"	25-1/4" x 18-1/4"	No Cold Plate	95	65 lbs.

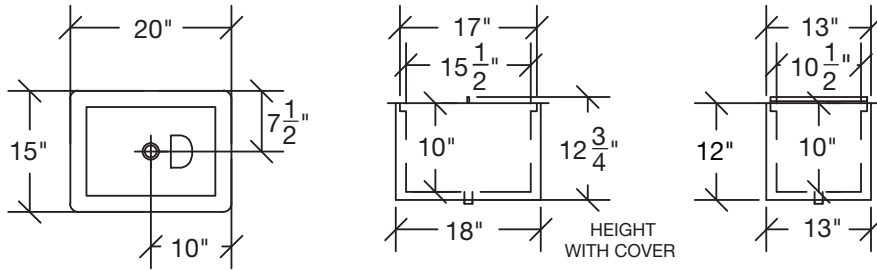
(See page 2 for Drop-In Ice Bin models)



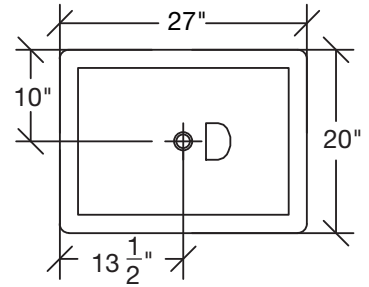
Drop-In Ice Bins / Mobile Ice Bins

ROYAL SERIES

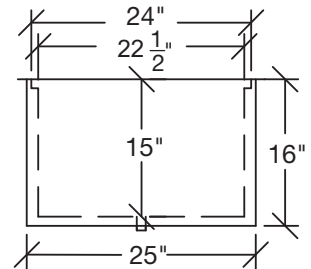
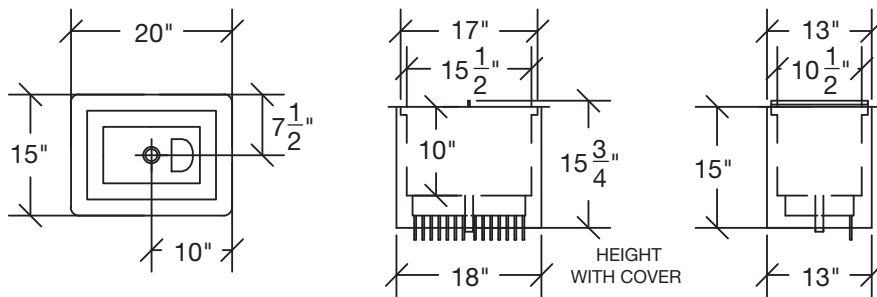
D278



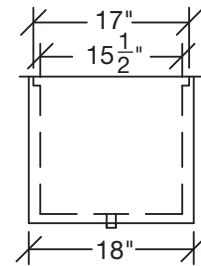
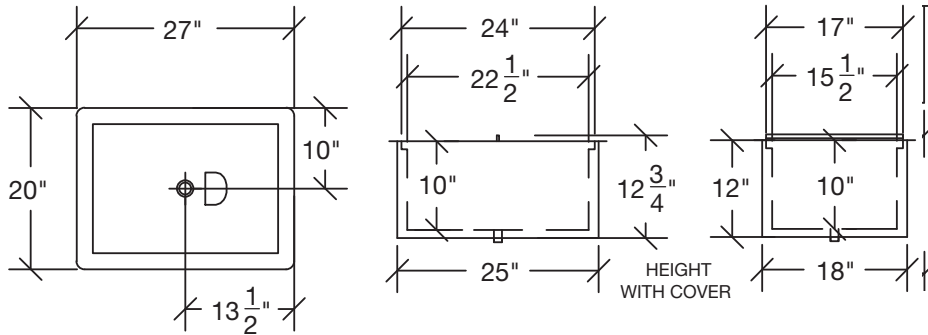
D2712DP



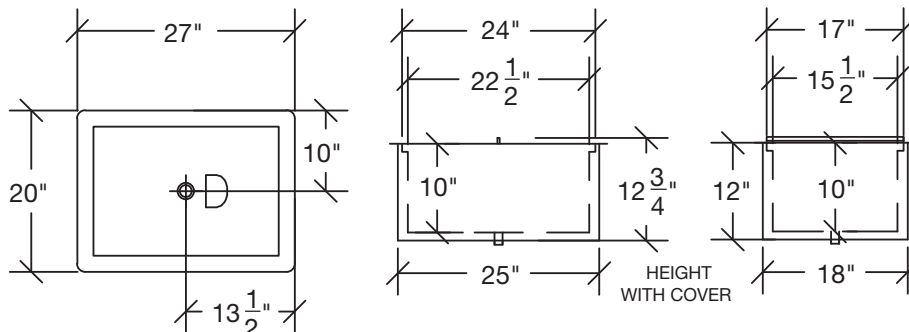
D278-7



D2712



D2712-7 or D2712-10



Mechanical Requirements: 1" IPS drain connection without Cold Plate, 1/2" IPS drain connection with Cold Plate

