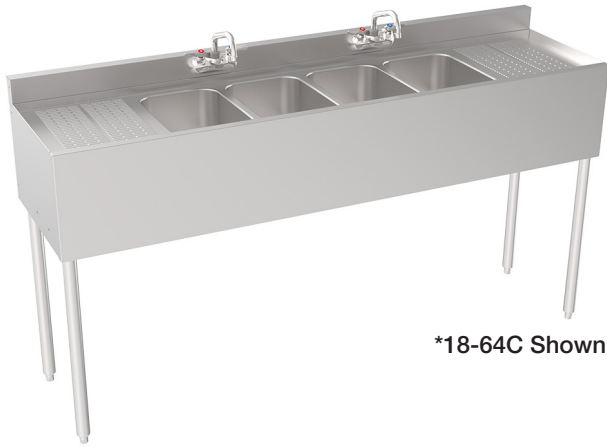


Compartment Bar Sinks

SILVER SERIES



*18-64C Shown

Standard Features

- 4" center wall mount faucet included with quarter turn ceramic valves
- Pre-drilled rivnuts for easy attachment in the field

Specifications

Drainboard	20 gauge embossed stainless steel reinforced with welded braces every 6" 3/4" radius on all vertical and horizontal edges
Bowl Size	10"D x 14"W x 10"H
Material	Stainless steel construction
Depth	18-1/2" front to back
Backsplash	3"H
Legs	1-5/8" tubular legs with gray plastic bullet feet
Faucet	4" center wall mount with 10" spout (10-410L)
Drain	1-1/2"

Model	Description	Width (A)	Drainboard Length (B)	Number of Drains	Number of Faucets	Weight
18-1C	Silver Series 12" One Compartment Bar Sink	12"	No Drainboards	1	1	40 lbs.
18-33	Silver Series 36" Three Compartment Bar Sink	36"	No Drainboards	3	1	57 lbs.
18-43L	Silver Series 48" Three Compartment Bar Sink, Left Drainboard	48"	11-13/16"	3	1	105 lbs.
18-43R	Silver Series 48" Three Compartment Bar Sink, Right Drainboard	48"	11-13/16"	3	1	60 lbs.
18-53C	Silver Series 60" Three Compartment Bar Sink, Left & Right Drainboards	60"	13"	3	1	113 lbs.
18-63C	Silver Series 72" Three Compartment Bar Sink, Left & Right Drainboards	72"	19"	3	1	72 lbs.
18-64C	Silver Series 72" Four Compartment Bar Sink, Left & Right Drainboards	72"	13-1/8"	4	2	115 lbs.

