

Glass Storage Cabinets

SILVER SERIES



18-GSB1



18-GSB3

Standard Features

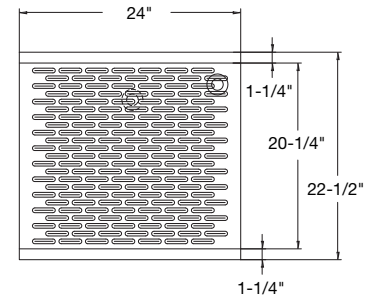
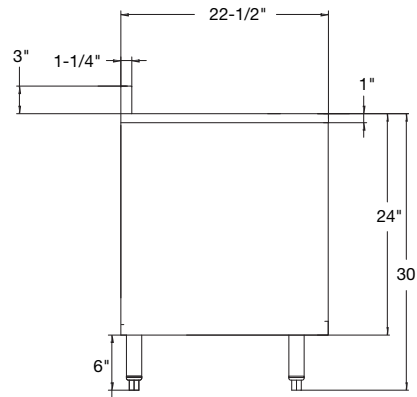
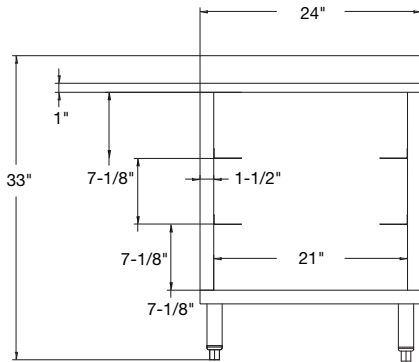
- Embossed drainboard top
- Fits (3) 20" x 20" Glass Racks (not included) (18-GSB1)
- Fits (2) 20" x 20" Glass Racks (not included) (18-GSB3)
- Pre-drilled rivnuts for easy attachment in the field

Specifications

Drainboard	20 gauge embossed stainless steel reinforced with welded braces every 6" 3/4" radius on all vertical and horizontal edges
Material	Stainless steel construction
Depth	22-1/2" front to back
Backsplash	3"H
Legs	1-5/8" tubular legs with gray plastic bullet feet
Drain	(2) 1"
Weight	60 lbs.

Model	Description
18-GSB1	Silver Series 24" Closed Glass Storage Cabinet
18-GSB3	Silver Series 24" Glass Storage Cabinet

18-GSB1



18-GSB3

