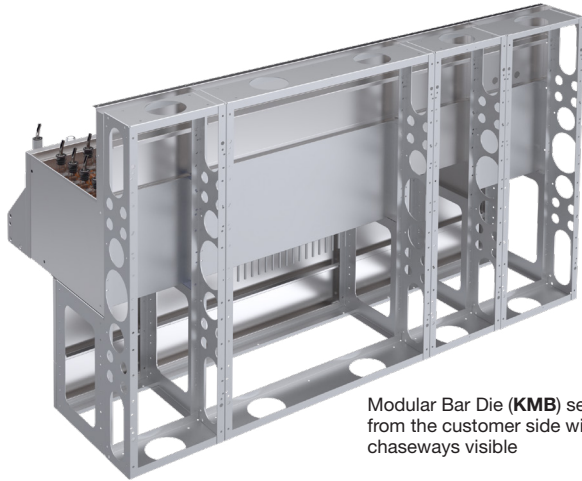


# Modular Bar Die

## ROYAL SERIES



Modular Bar Die (KMB) seen from the customer side with chaseways visible

Model	Description	Height	Weight per ft.
KMB	Modular Bar Die	41"	11 lbs.
KMB-ADA	Modular Bar Die ADA Counter	32"	8 lbs.

### Accessories

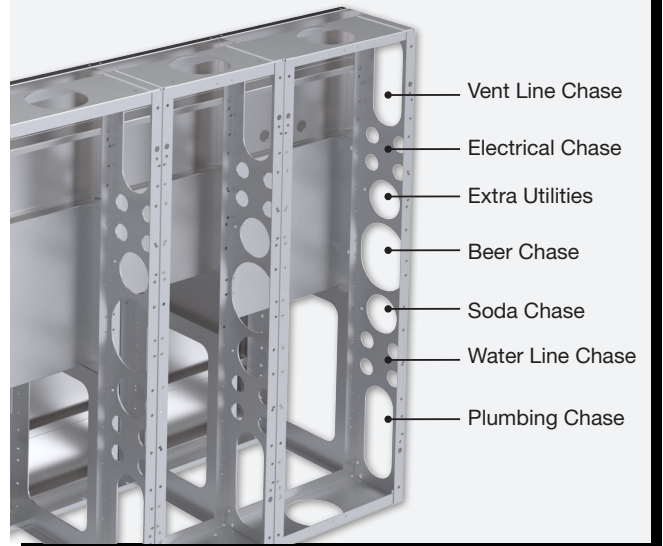
KMB-LK-W	LED Light with Junction Box - Crisp White
KMB-LK-B	LED Light with Junction Box - Blue
KMB-PS-25	Power Supply for up to 10 LED Lights
KMB-PS-60	Power Supply for up to 25 LED Lights
KMB-LD	Light Dimmer
KMB-EC	Built-In Junction Box for Outlet
KMB-PC	Millwork Panel Clip - 3/4" Offset 24-Pack
KMB-MT	Mylar Template

### Standard Features

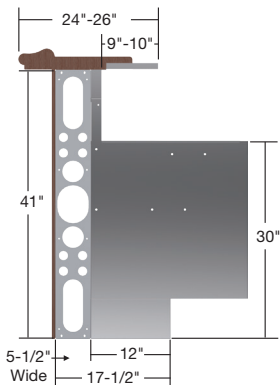
- Die wall structure: 16 gauge anti-corrosive galvanized steel (stainless steel upgrade available)
- Bartender-side: 20 gauge 300 series stainless steel
- Pre-assembled and shipped in sections up to 8 ft. for easy install
- Bartender-side panels removable for drain access
- We recommend customer-side panels are built by millworker to be removable for easy service
- Sealed-to-floor design prevents seepage
- Built-in chaseways conceals all plumbing, electric, soda & beer lines
- Completely assembled and mounted to bar die in factory to ensure layout accuracy
- Exclusive to Royal Series Underbar
- Engineered to exact dimensions
- Millwork panels and bar top can be prefabricated to save time during installation
- Supports 1,000 pounds per foot of downward force
- Built-in junction box (quantity & location to be verified by customer)
- Front panels (by millwork) easily removed for access to soda, beer, electrical and plumbing lines for future service or repair
- Fully customizable angles, fillers & overall shape
- Dedicated enlarged cutouts for floor drains when specified

### Modular Bar Die Chaseways

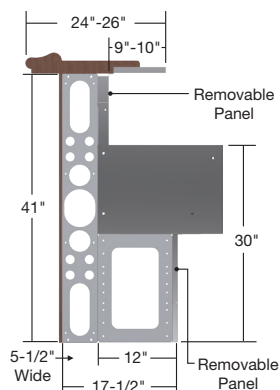
Chaseways allow for easy installation and access to beer, water, electrical, plumbing and other utility lines.



Cabinet (Side View)



Ice Bin (Side View)



#### California Prop 65 Warning:

This product can expose you to chemicals including lead and lead compounds, which are known to the State of California to cause cancer and birth defects or other reproductive harm. For more information go to [www.P65Warnings.ca.gov](http://www.P65Warnings.ca.gov).

