

## Soda Gun Holders & Chase Fillers

## ROYAL SERIES

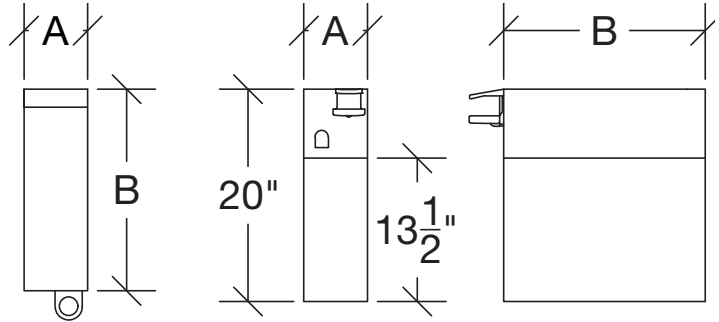


KR19-6SH

### Standard Features

- Fits all Wunder-Bar® and Schroeder® soda guns and manifolds
- Removable cover for soda gun adjustments
- Gun holder with drip cup included and factory mounted
- Eliminates soda trunk line above ice bin
- Unit cannot be modified
- Soda gun not included
- 36-1/2" overall finished height to match adjacent equipment backsplash height
- Not compatible with locking cover speed rails
- 4" or 6" Soda Guns must ship attached to ice bins, depending on size
- Replacement drip cup available (SGH-100)
- Stainless steel construction
- KR19 models: 19" overall depth

Model	Overall Length (A)	Depth (B)	Weight
KR19-4SH-L	4"	19"	25 lbs.
KR19-4SH-R	4"	19"	25 lbs.
KR19-6SH	6"	19"	28 lbs.
KR24-4SH-L	4"	24"	25 lbs.
KR24-4SH-R	4"	24"	25 lbs.
KR24-6SH	6"	24"	30 lbs.



KR19-6CF

### Standard Features

- 6" x 4" open chase in rear
- Hides soda lines and beer lines
- Stainless steel construction
- KR19 models: 19" overall depth
- KR24 models: 24" overall depth

Model	Overall Length (A)	Depth (B)	Weight
KR19-6CF	6"	19"	25 lbs.
KR24-6CF	6"	24"	25 lbs.

