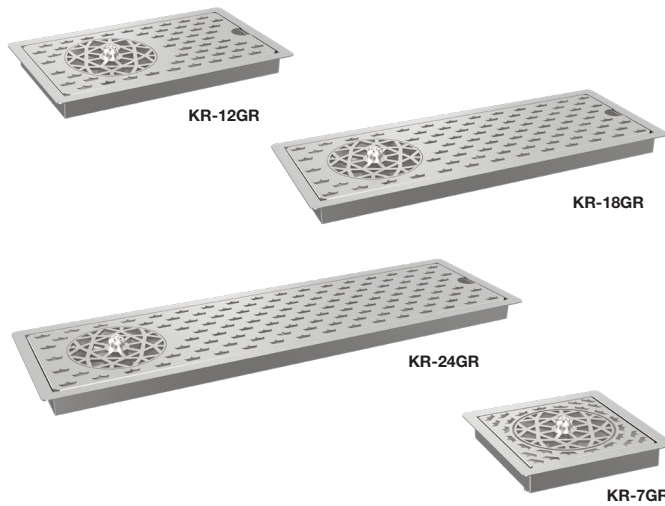


## Drop-In Rinsers

## ROYAL SERIES



### Standard Features

- Push down activation speed rinser
- Removable perforated insert for easy cleaning (KR-7GR does not include perforated insert)
- Built-in 1/2" drain (23-126) with 10' drain tube (KR-7GR has built-in tailpiece drain)
- Includes in-line pressure regulator for speed rinser (16-165)
- Includes 10' drain tube, two elbows and mounting hardware
- All stainless steel construction

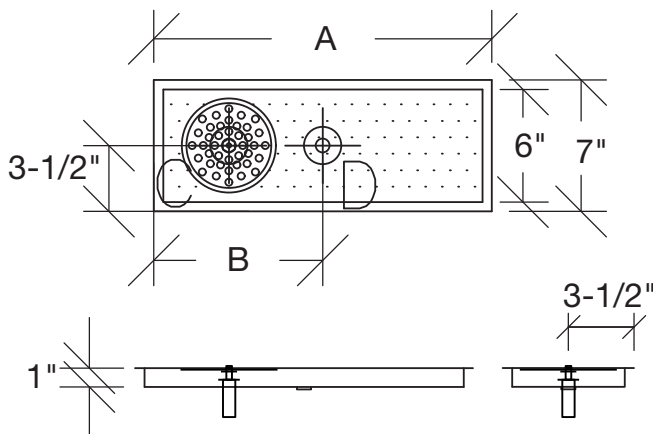
### Product Compliance

- NSF-2



Model	Description	Length	Depth	Cutout	Left Side to Drain (B)	Weight
KR-7GR	Royal Series 7" Drop-in Rinser	7"	7"	6-1/4" x 6-1/4"	-	2 lbs.
KR-12GR	Royal Series 12" Drop-in Rinser	12"	7"	11-1/4" x 6-1/4"	6"	4 lbs.
KR-18GR	Royal Series 18" Drop-in Rinser	18"	7"	17-1/4" x 6-1/4"	9"	6 lbs.
KR-24GR	Royal Series 24" Drop-in Rinser	24"	7"	23-1/4" x 6-1/4"	12"	7 lbs.

### KR-12GR, KR-18GR, KR-24GR



### KR-7GR

