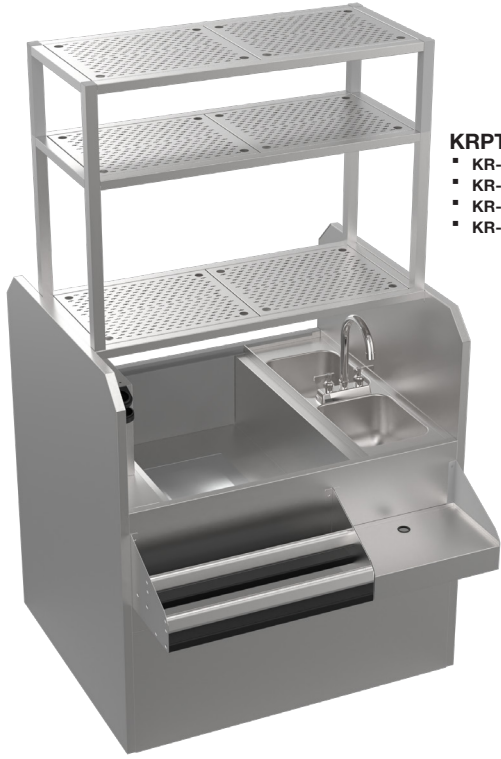


Pass Thru Workstations

ROYAL SERIES



KRPT-42LP-10 shown with

- **KR-142:** Single Overshelf
- **KR-415:** Bartender Floor Panel
- **KR-BR1:** Bottle Wells
- **KR-322:** Partial Cover

Standard Features

- Built-in 10-circuit cold plate
- Perforated stainless steel glass shelf with drain
- Built-in sound deadened double speed rail
- Built-in 10" or 16" blender shelf
- Two dump sinks with faucet & drains
- Chase on left or right for drain and soda lines
- Royal Series 4" center faucet
- Optional single or double overshelf with brackets
- 45" front to back depth
- Stainless steel end panels included

Specifications

Tray Shelf	22 gauge stainless steel with drain and perforated top
Dump Sink (Blender)	20 gauge stainless steel 10" x 14" x 7" Deep bowl 1-1/2" drain in center
Blender Shelf	22 gauge stainless steel
Interior (Ice Bin)	20 gauge stainless steel
Soda Gun Holder	18 gauge stainless steel
Panels	Stainless steel side panels
Cold Plate (Ice Bin)	Cast aluminum post mix plate with 10 circuits Plate is sealed into bottom Each circuit is 5/16" OD stainless steel tubing
Front Aprons	20 gauge stainless steel clad over 20 gauge galvanized steel
Bottom	20 gauge stainless steel
Legs	1-5/8" tubular 16 gauge stainless steel with grey plastic bullet foot
Tubing Access	4" x 4" cutout with chase and gun holder
Electrical (Blender)	Receptical box located underneath blender shelf
Insulation (Ice Bin)	Foamed-in-place polyurethane
Plumbing	Cold plate: 1/2" IPS drain connection Shelves: 1" IPS drain connection Sink bowls: 1-1/2" IPS drain connection
Faucet	4" center deck mount faucet with high performance ceramic cartridge valves (15-301L)

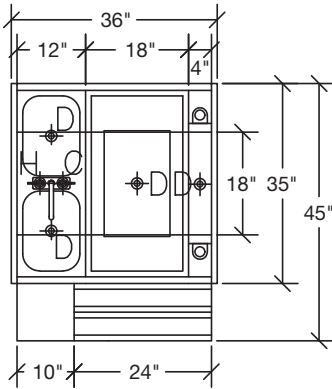
Accessories

KR-136	34" Stainless Steel Single Overshelf
KR-236	34" Stainless Steel Double Overshelf
KR-142	40" Stainless Steel Single Overshelf
KR-242	40" Stainless Steel Double Overshelf
KR-154	52" Stainless Steel Single Overshelf
KR-254	52" Stainless Steel Double Overshelf
KR-160	58" Stainless Steel Single Overshelf
KR-260	58" Stainless Steel Double Overshelf
KR-110	Stainless Steel Splash for Dump Sinks
KR-112	Stainless Steel Divider (long way)
KR-322	24" Partial Sliding Cover (Using Bottle Wells)
KR-323	24" Full Sliding Cover (No Bottle Wells)
KR-325	18" Full Sliding Cover (No Bottle Wells)
KR-415	Stainless Steel Bartender Floor Panel
30-160	Universal Plastic Sink Strainer
KR-BR1	Bottle Wells for 24" Pass Thru

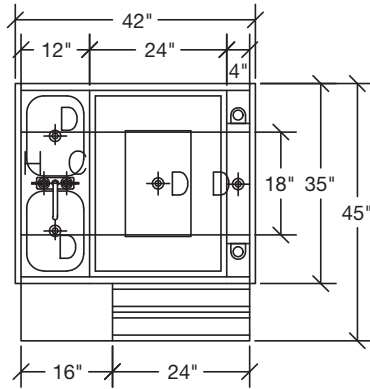


Pass Thru Workstations

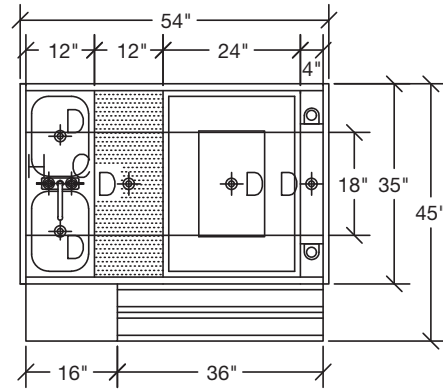
ROYAL SERIES



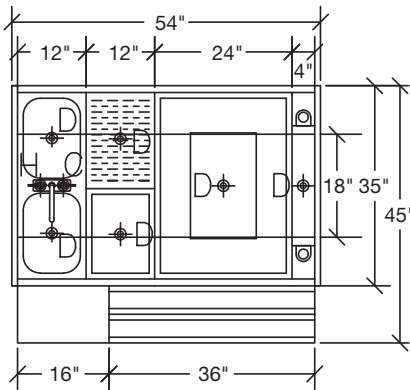
KRPT-36RP-10



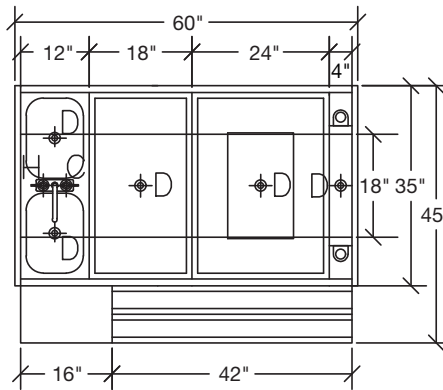
KRPT-42RP-10



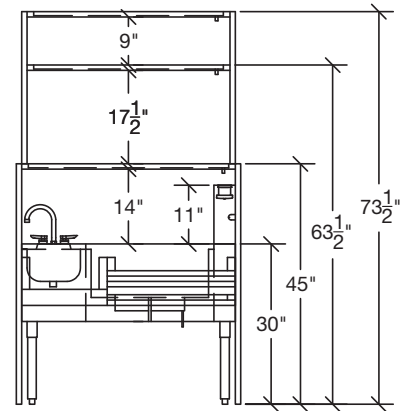
KRPT-54ARP-10



KRPT-54BRP-10



KRPT-60RP-10



Elevation view with double overshelf

Pass Thru Units with Ice Bins on Right Side

Model	Length	Depth	Working Height	Ice Bin	Blender Shelf	Double Speedrail	Drainboard	Weight
KRPT-36RP-10	36"	45"	30"	18" x 30-1/2"	10"	24"	-	400 lbs.
KRPT-42RP-10	42"	45"	30"	24" x 30-1/2"	16"	24"	-	444 lbs.
KRPT-54ARP-10	54"	45"	30"	24" x 30-1/2"	16"	36"	12"	503 lbs.
KRPT-54BRP-10	54"	45"	30"	24" x 30-1/2"	16"	36"	12"	524 lbs.
KRPT-60RP-10	60"	45"	30"	24" x 30-1/2"	16"	42"	-	580 lbs.

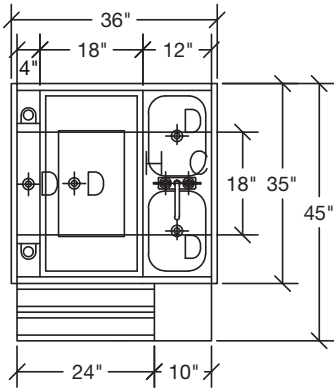
Mechanical Requirements:

- 1/2" IPS Hot and Cold Water
- 1" IPS drain connection without Cold Plate
- 1/2" IPS drain connection with Cold Plate
- 1-1/2" IPS drain connection on sink bowls

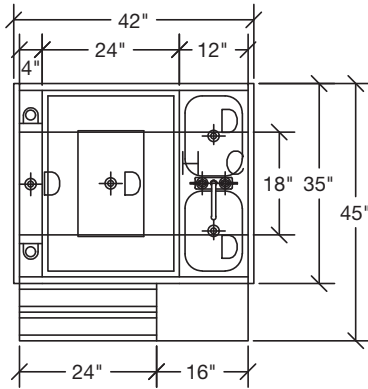


Pass Thru Workstations

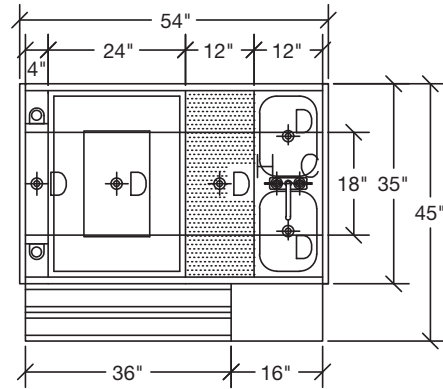
ROYAL SERIES



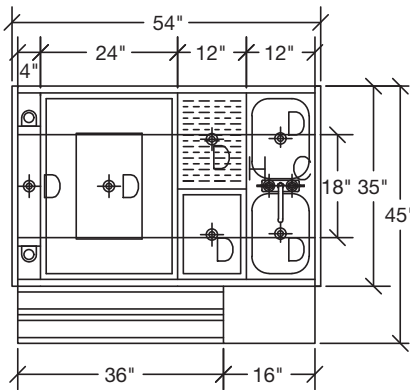
KRPT-36LP-10



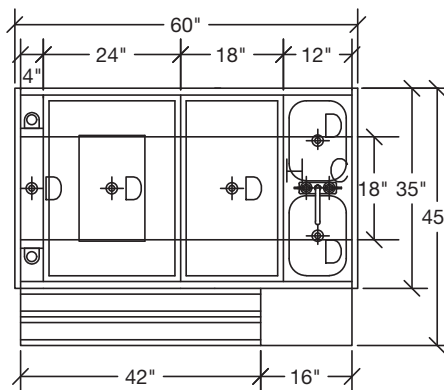
KRPT-42LP-10



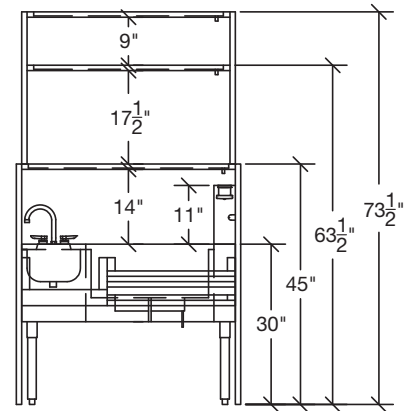
KRPT-54ALP-10



KRPT-54BLP-10



KRPT-60LP-10



Elevation view with double overshelf

Pass Thru Units with Ice Bins on Left Side

Model	Length	Depth	Working Height	Ice Bin	Blender Shelf	Double Speedrail	Drainboard	Weight
KRPT-36LP-10	36"	45"	30"	18" x 30-1/2"	10"	24"	-	400 lbs.
KRPT-42LP-10	42"	45"	30"	24" x 30-1/2"	16"	24"	-	444 lbs.
KRPT-54ALP-10	54"	45"	30"	24" x 30-1/2"	16"	36"	12"	503 lbs.
KRPT-54BLP-10	54"	45"	30"	24" x 30-1/2"	16"	36"	12"	524 lbs.
KRPT-60LP-10	60"	45"	30"	24" x 30-1/2"	16"	42"	-	580 lbs.

Mechanical Requirements:

- 1/2" IPS Hot and Cold Water
- 1" IPS drain connection without Cold Plate
- 1/2" IPS drain connection with Cold Plate
- 1-1/2" IPS drain connection on sink bowls

