

Bad Birdy Mobile Bar

ROYAL SERIES



BBMB-66
bartender side



BBMB-66
customer side

Model	Description
BBMB-66	The Bad Birdy Mobile Bar

Standard Features

- Crafted in collaboration between Bad Birdy and Krowne
- Equipment L-R: 8"L 5-step liquor display, 18"L ice bin with garnish station and sliding cover, 24"L ice bin, 12"L dump sink with 6" trash chute and non-slip adjustable cutting board
- 42"L sound deadened speed rail
- 46"L stainless steel drop-in drip tray built into bar top
- Trash bin positioned under chute with positioning bracket
- Drainage bin for draining from dump sink and ice bins (unit is pre-plumbed)
- Additional storage space below
- 5-5/8" swivel casters with brakes allow for total mobility
- Custom Wilsonart laminate panels (pepper planked alona), aluminum black diamond bottom plates, and black vinyl trim gives a sleek aesthetic look and prevents damage if unit comes into contact with other objects
- Includes urethane coated polyester outdoor cover rated for outdoor use (UV, mold, mildew, and water resistant)
- Optional vinyl wraps available on sides and front panels of bar above the kick plate
- Optional custom logo decal available on front panel
- Shipped completely assembled

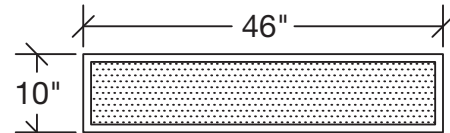
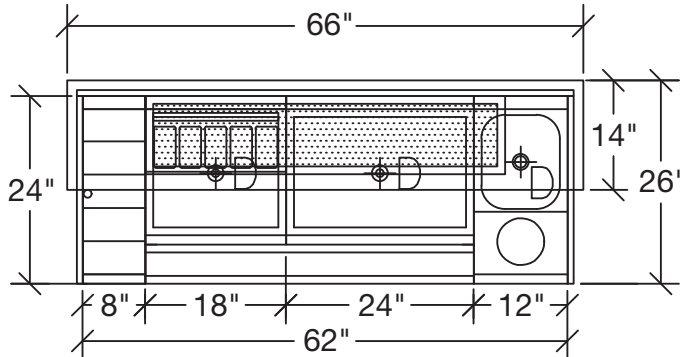
Specifications

Overall Size	66" L x 46-3/8" H x 26" D
Working Height	36-1/4" H
Liquor Display	18"L 5-step liquor display Sound deadening steps
Ice Bins	Two dedicated ice bins: 18"L and 24"L 18"L includes removable 5-cup garnish station and integrated sliding cover Capacity: 69 lbs.
Dump Sink	12"L with 6" diameter trash chute Non-slip adjustable cutting board Trash bin with positioning bracket below
Speed Rail	42"L sound deadening
Drip Tray	46" x 10" drip pan 44-1/4" x 8-1/4" cutout in bar top
Casters	Set of four 5-5/8" overall casters Hole spacing 2-5/8" x 3-5/8" Swivel with locking brakes Gray non-marking thermoplastic rubber tread on polypropylene core
Sink Bowl	10" x 12" x 6" deep
Drains	Ice bin & sink bowl: 1" IPS drain Drainage bin in below compartment
Inside Material	20 gauge stainless steel bar equipment
Outside Material	Wilsonart laminate front and side panels (pepper planked alona), aluminum black diamond bottom plates, black vinyl trim
Outdoor Cover	66" x 26" x 45-3/4" overall size Urethane coated polyester Includes security cable along bottom seam with adjustable length cable crimp Includes lockable zipper along one side with storage bag
Weight	533 lbs.

California Prop 65 Warning:
This product can expose you to chemicals including lead and lead compounds, which are known to the State of California to cause cancer and birth defects or other reproductive harm. For more information go to www.P65Warnings.ca.gov.

Bad Birdy Mobile Bar

ROYAL SERIES



44-1/4" X 8-1/4" CUTOUT IN TOP FOR DROP-IN DRAIN PAN

