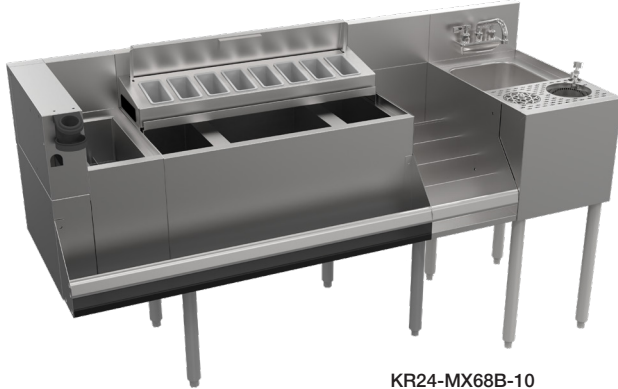


Zero-Step Workstations

ROYAL SERIES



KR24-MX68B-10

Standard Features

- Built-in 10-circuit cold plate for models ending in '-10'
- Built-in 7-circuit cold plate for models ending in '-7'
- Perforated stainless steel glass shelf with drain
- Built-in sound deadened double speed rail
- Built-in 10" or 16" blender shelf
- Two dump sinks with faucet & drains
- Chase on left or right for drain and soda lines
- Royal Series 4" center faucet
- Optional single or double overshef with brackets
- 45" front to back depth
- Stainless steel end panels included

Model	Description	Length	Ice Bin Size	Ice Capacity	Garnish Cups	Elixir Bottles	Liquor Bottles	Ice Bin Dividers	Weight
KR24-MX54	54"L x 24"D Zero-Step Cocktail Station	54"	18"	69	5	10	17	0	246 lbs.
KR24-MX54-7	54"L x 24"D Zero-Step Cocktail Station with Cold Plate	54"	18"	69	5	10	17	0	281 lbs.
KR24-MX60	60"L x 24"D Zero-Step Cocktail Station	60"	24"	92	6	10	19	1	252 lbs.
KR24-MX60-10	60"L x 24"D Zero-Step Cocktail Station with Cold Plate	60"	24"	92	6	10	19	1	347 lbs.
KR24-MX68A	68"L x 24"D Zero-Step Cocktail Station	68"	30"	115	8	15	26	2	239 lbs.
KR24-MX68A-10	68"L x 24"D Zero-Step Cocktail Station with Cold Plate	68"	30"	115	8	15	26	2	239 lbs.
KR24-MX68B-10	68"L x 24"D Zero-Step Cocktail Station with Cold Plate	68"	30"	115	8	10	26	2	321 lbs.
KR24-MX70	70"L x 24"D Zero-Step Cocktail Station	70"	30"	115	8	10	27	2	267 lbs.
KR24-MX70-10	70"L x 24"D Zero-Step Cocktail Station with Cold Plate	70"	30"	115	8	10	27	2	362 lbs.
KR24-MX84	84"L x 24"D Zero-Step Cocktail Station	84"	30"	115	6	15	30	2	286 lbs.
KR24-MX84-10	84"L x 24"D Zero-Step Cocktail Station with Cold Plate	84"	30"	115	6	15	30	2	375 lbs.

Specifications

Materials	Interior, Front Apron & Backsplash: 20 gauge stainless steel
	Back & Bottom: 20 gauge galvanized steel
	Legs: 18 gauge stainless steel
Drains	1-1/2" IPS Drain, Sink bowl
	1/2" NPS Drain, Dipperwell
	1" NPS Drain, Elixir section
	1" IPS Drain, Ice bin
Faucet	1/2" IPS Drain, Ice bin with Cold Plate
	4" PVC tailpiece provided. PVC tailpiece required to avoid condensation through metal to metal contact
	4" Center wall mount faucet (14-406L)
Dipperwell Faucet	1/4" turn ceramic cartridge valves
	1/2" IPS Hot & Cold water
	1/2" IPS Cold

Cold Plate	Cast aluminum post mix plate with 7 or 10 circuits depending on model (Plate is sealed into bottom)
	Each circuit is 5/16" OD stainless steel tubing, Two full with remainder to be half circuits
Backsplash	6-1/2"H x 1-1/2"D
Cutting Board	Non-slip flush mounted cutting board 11-1/2"W x 10"L
Speed Rinser	1/2" IPS Cold
Legs	1-5/8" tubular legs w/ grey plastic bullet foot
Sink Bowl	10"W x 12"L x 7"D

KR-CPN6



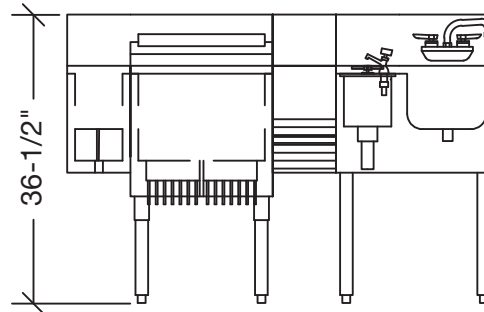
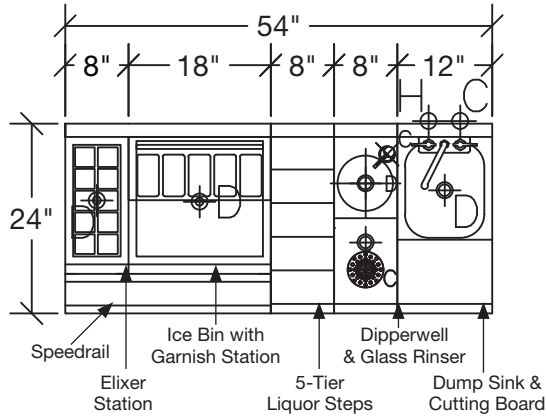
Cold Plate units supplied with 1/2" x 6" PVC tailpiece. 1/2" - 20 male threaded



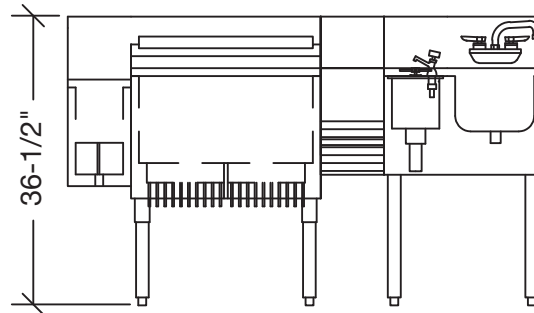
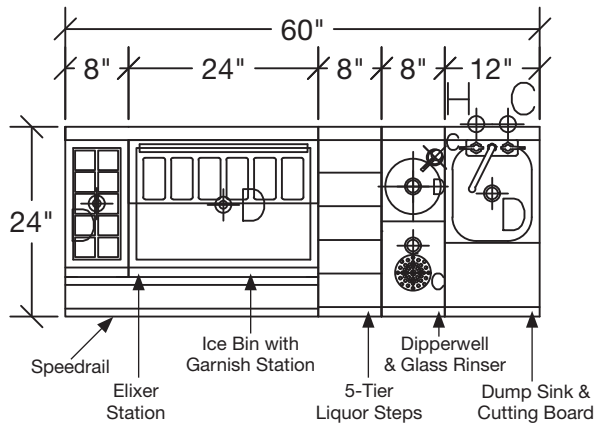
Zero-Step Workstations

ROYAL SERIES

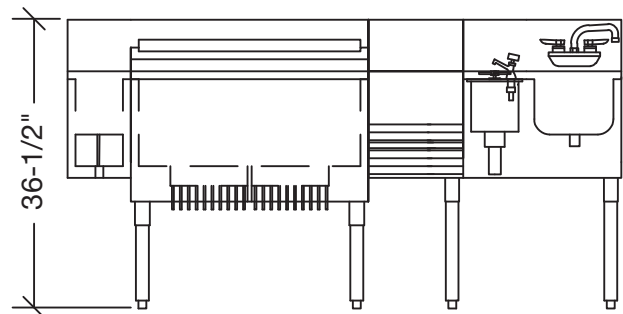
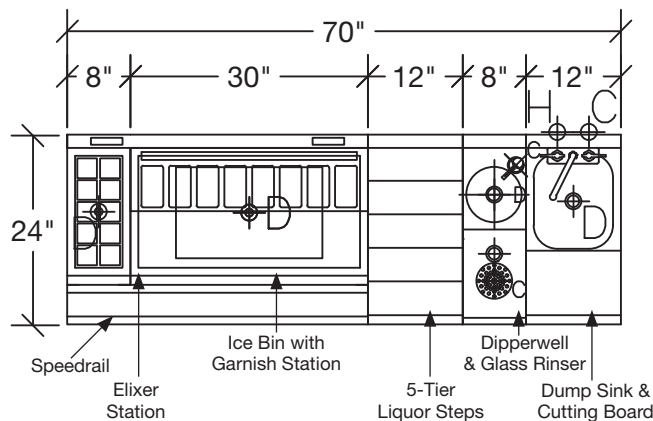
KR24-MX54 or KR24-MX54-7



KR24-MX60 or KR24-MX60-10



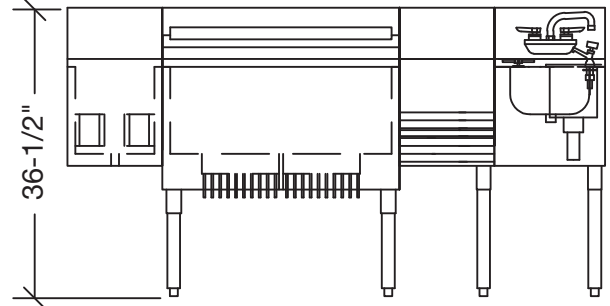
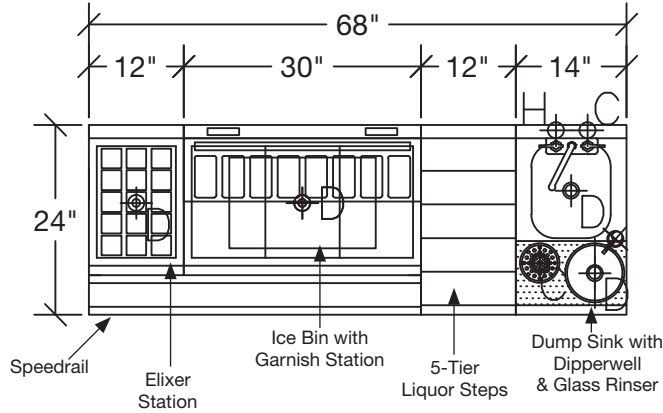
KR24-MX70 or KR24-MX70-10



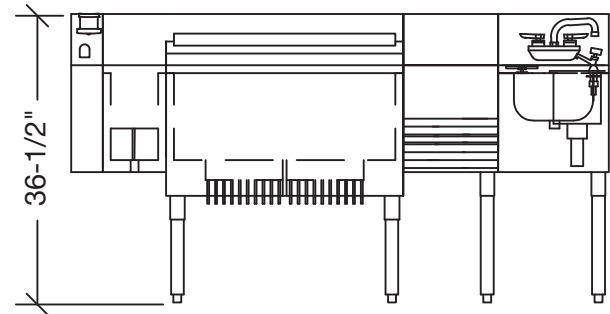
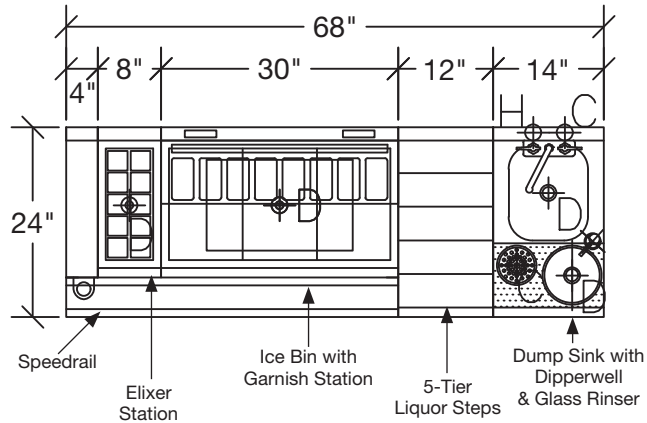
Zero-Step Workstations

ROYAL SERIES

KR24-MX68A or KR24-MX68A-10



KR24-MX68B-10



KR24-MX84 or KR24-MX84-10

