



## Wall Mount Pre-Rinse Installation Manual

---

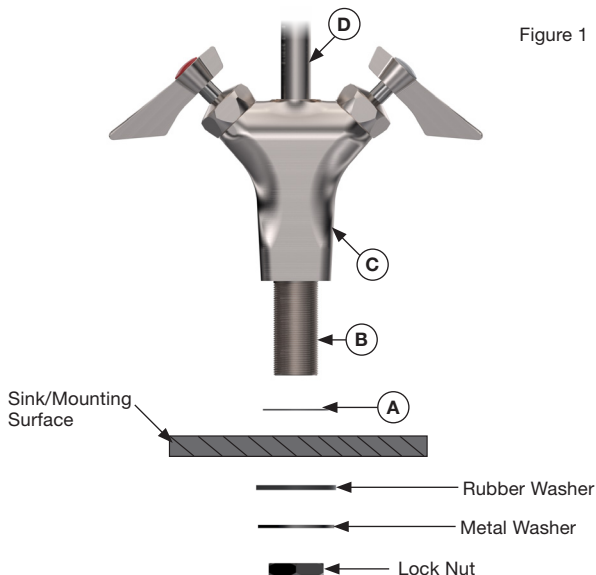
DX-202



DIAMOND™  
series

**WARNING:** Plumbing connections should be made by qualified personnel who will observe all applicable plumbing, sanitary and safety codes.

**INSTALLATION NOTICE:** Wall-mounted pre-rinse units must be anchored into a stud, masonry, or approved wall anchor system. Improper anchoring will void the warranty.



## Installation Instructions

1. Turn off water supply at main source before proceeding with installation.
2. Place the thin rubber gasket (A) onto the threaded nipple (B).
3. Place the threaded nipple into the faucet hole in the sink.
4. From the back of the sink, place the included black rubber washer, metal washer, and locknut onto the threaded nipple and tighten with a wrench (in that order).
5. The pre-rinse spray head (H), hose (I), spring (J), and riser (D) have been assembled at the factory (Figure 2).
6. Install the pre-rinse assembly by threading the riser (D) into the faucet body (C)
7. Determine the correct length of the support rod (E) from the wall to the riser pipe (D). Cut the support rod to size (Figure 3).

8. Determine the position on the wall for the wall bracket brace (**F**), making sure it is near the top of the riser pipe (**D**).
9. Install the wall bracket brace (**F**) on the wall with the included screws. Press the end of the support rod (**E**) into the bracket brace. Tighten set screw to secure it in place.
10. Install the head of the support rod (**G**) around the riser pipe with the two supplied screws (**Figure 3**).
11. Loosen the spray head hook (**K**) and center it on the riser pipe (**D**). Tighten when it is in place.
12. From the back of the sink, connect the pre-installed water lines to the main water supply.



Figure 2

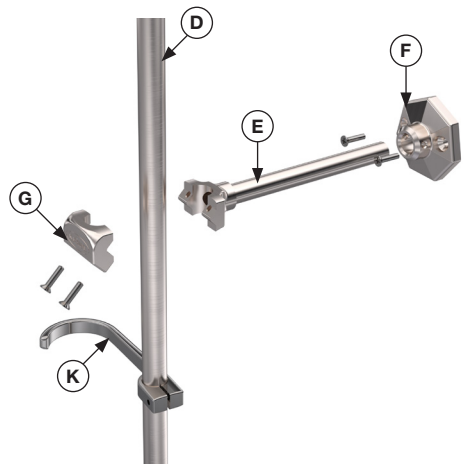
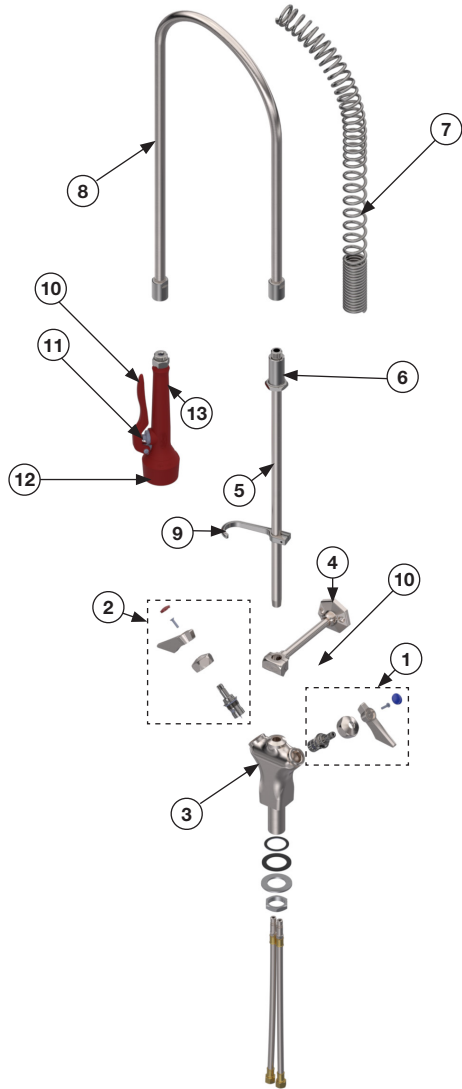


Figure 3



## Parts Guide

No.	Model	Description
1	<b>DX-708</b>	Cold 1/4 Turn Ceramic Cartridge Valve
2	<b>DX-709</b>	Hot 1/4 Turn Ceramic Cartridge Valve
3	<b>DX-201</b>	Single Hole Pre-Rinse Base
4	<b>DX-137</b>	Wall Bracket
5	<b>DX-160</b>	18" Riser Pipe
5	<b>DX-160-24</b>	24" Riser Pipe
6	<b>DX-161</b>	Spring Retainer
7	<b>DX-162</b>	Spring
8	<b>DX-133</b>	44" Pre-Rinse Hose
9	<b>DX-165</b>	Hook/Screw Assembly
10	<b>DX-171</b>	Spray Head Handle
11	<b>DX-322</b>	Button Valve
12	<b>DX-166</b>	Spray Head Repair Kit - Shower Pattern
12	<b>DX-179</b>	Spray Head Repair Kit - Knife Pattern
13	<b>DX-129</b>	1.15 GPM Spray Head

## Accessories

Model	Description
<b>DX-138</b>	Add-On Faucet with 6" Spout
<b>DX-149</b>	Add-On Faucet with 8" Spout
<b>DX-139</b>	Add-On Faucet with 12" Spout
<b>DX-140</b>	Add-On Faucet with 14" Spout
<b>DX-141</b>	Add-On Faucet with 16" Spout
<b>DX-1XX</b>	Base Only (No Spout)





Warranty



Please visit [krowne.com/warranty](http://krowne.com/warranty) for full terms and conditions regarding the warranty on your new Diamond Series product.

Product Description	Warranty Period
Diamond Series Plumbing	Lifetime Warranty

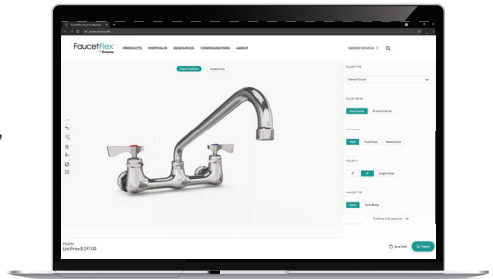
This Standard Warranty and Limitation of Liability (the "Warranty") sets forth the warranty provided by Krowne Metal Corporation (hereinafter "Krowne") with respect to the product purchased by Purchaser (the "Equipment"). By accepting delivery of the Equipment, Purchaser agrees to be bound by and accept these terms and conditions. All defined terms within the Warranty shall have the same meaning and definition as provided elsewhere in the Warranty. Equipment covered by the Warranty shall only be warranted in connection with its original installation only. Krowne will only be obligated to honor the warranty set forth in these terms and conditions upon receipt of full payment for the equipment.

FaucetFlex®  
BY KROWNE



- Effortlessly configure a faucet, pre-rinse and much more
- Instant spec sheet generation
- Instant price generation

[krowne.com/faucetflex](http://krowne.com/faucetflex)



100 Haul Rd. • Wayne, NJ 07470  
[krowne.com](http://krowne.com)